

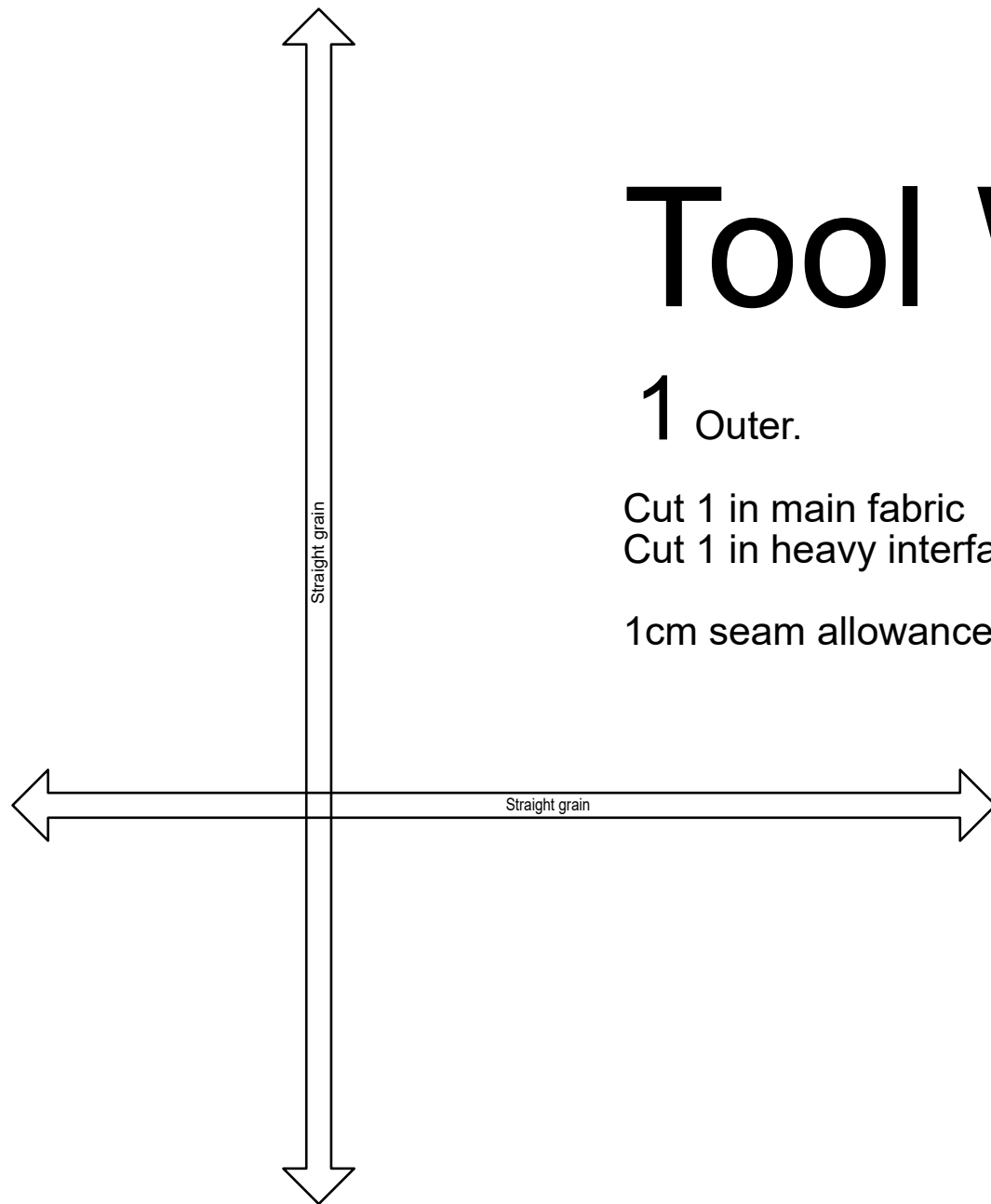
Print Test square
5cm x 5cm

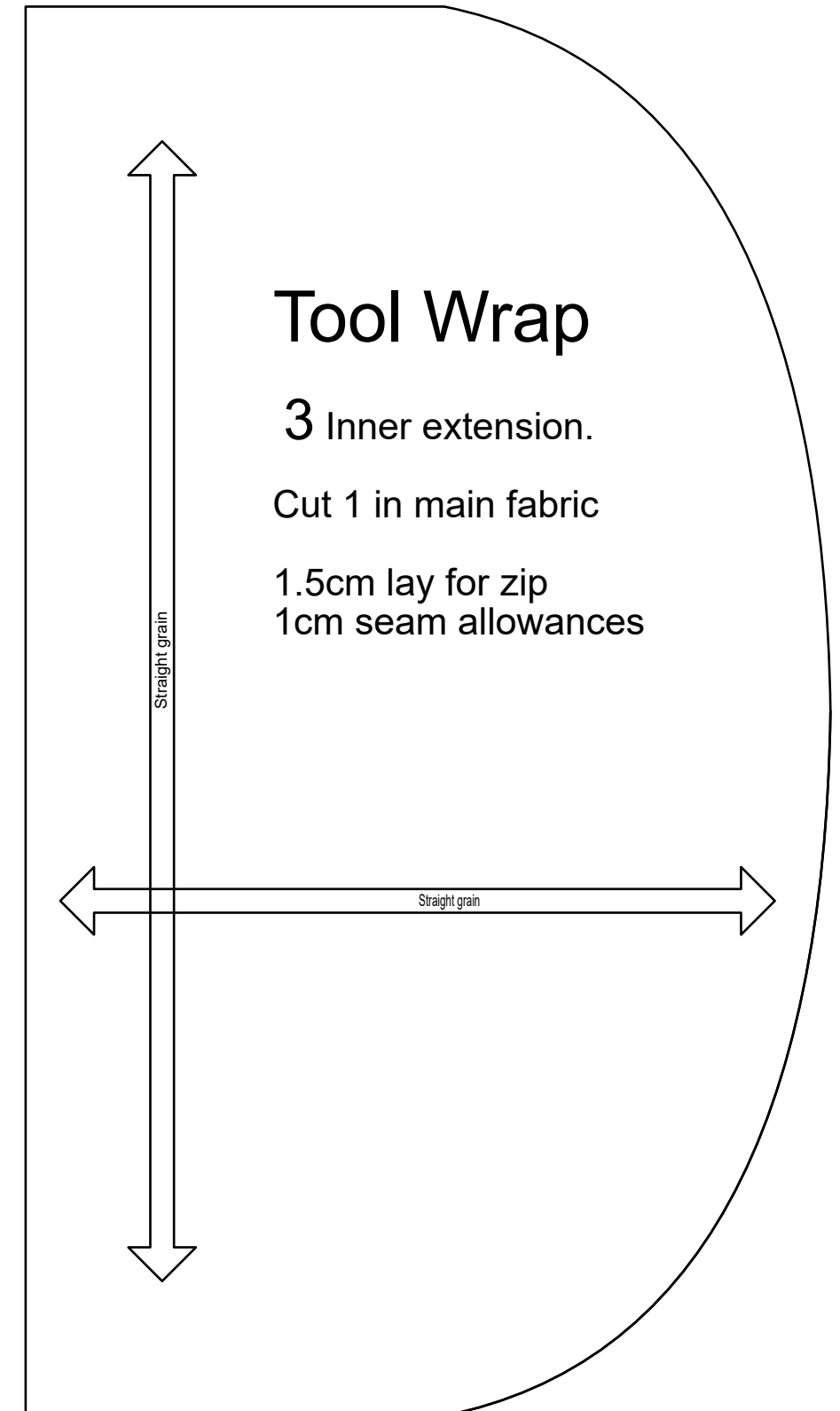
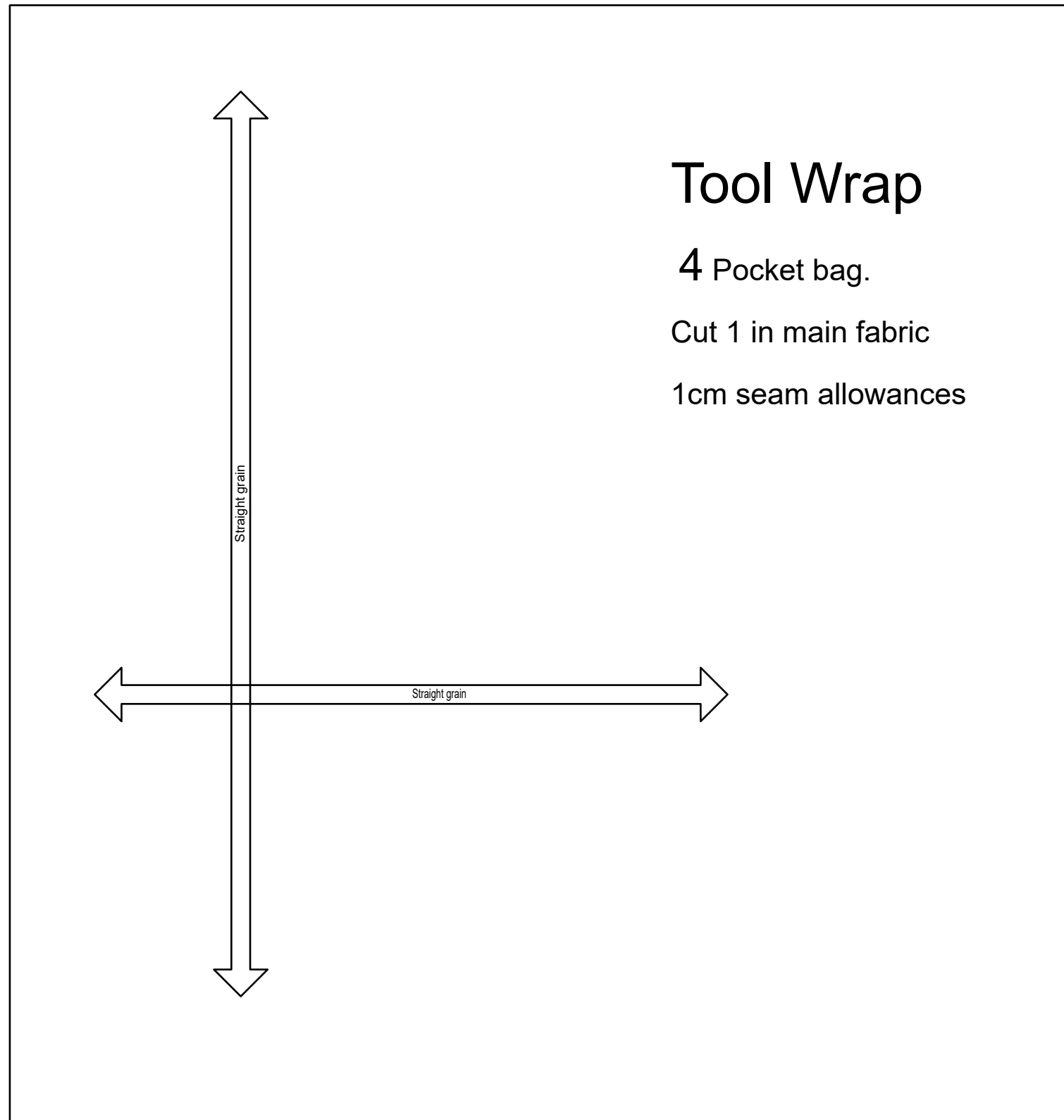
Tool Wrap

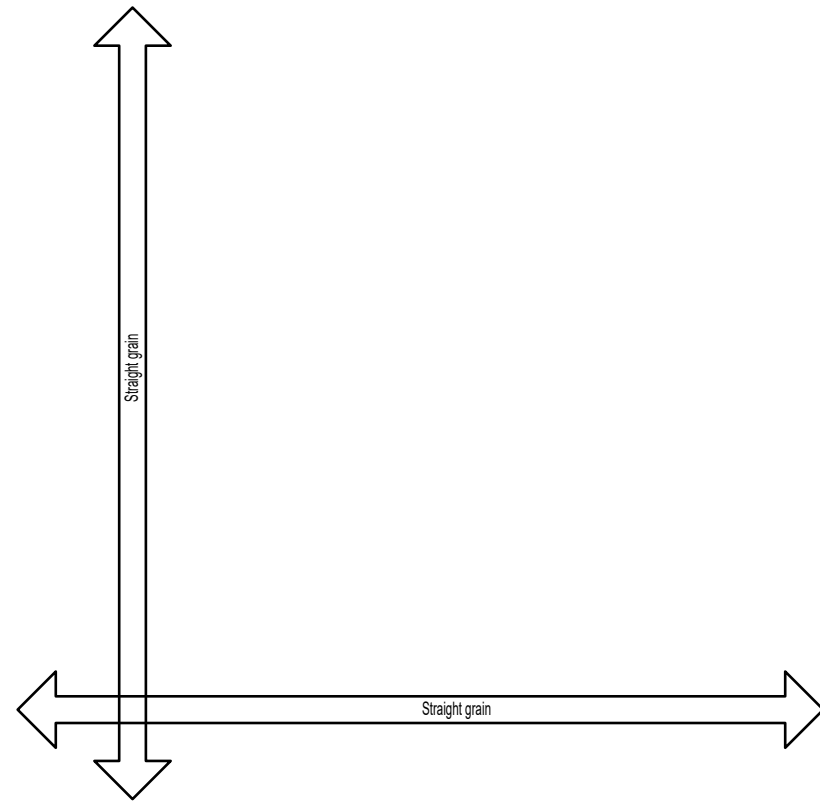
1 Outer.

Cut 1 in main fabric
Cut 1 in heavy interfacing

1cm seam allowances







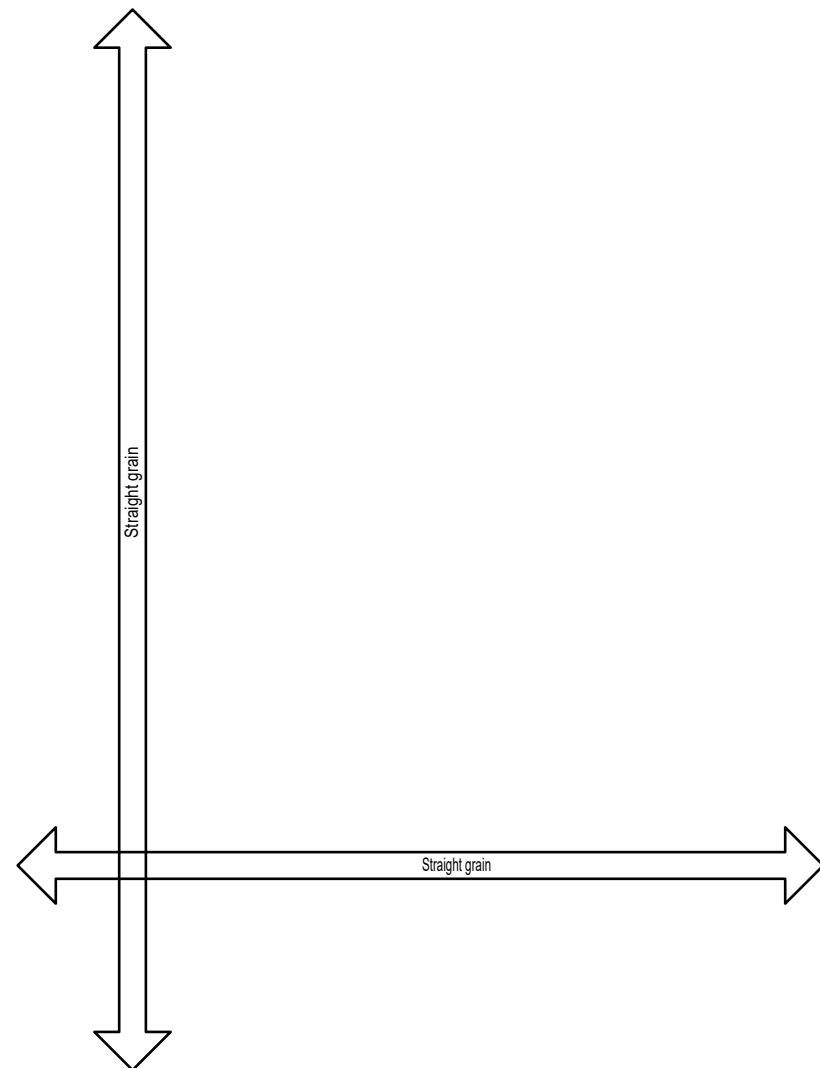
Tool Wrap

6 Facing.

Cut 1 in main fabric

1cm lay, 1cm hem

1cm seam allowances



Tool Wrap

5 Tool Pocket.

Cut 1 in main fabric

1cm lay, 1cm hem

1cm seam allowances

