



**Graphic Communication
(National 5): question paper**

Candidate evidence

1. (continued)

- (b) Describe two ways the graphic designer has used each of the following design elements and principles in the layout.

You may annotate the graphic on the opposite page to support your answer.

(i) Alignment

2

- the title is aligned to the text
- The word home is in line to the orange block

(ii) Depth

2

- the black silhouette looks closer than the other runners, as black is bold.
 - the orange ~~runners~~ runners look closer to the black one, as it is a more advancing colour
- (iii) Contrast
- the orange contrasts the black

2

- the grey background contrasts the black text.

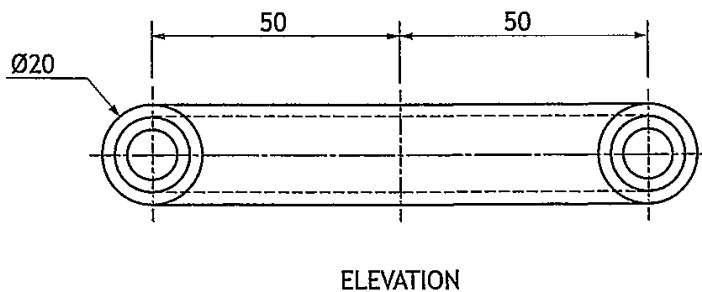
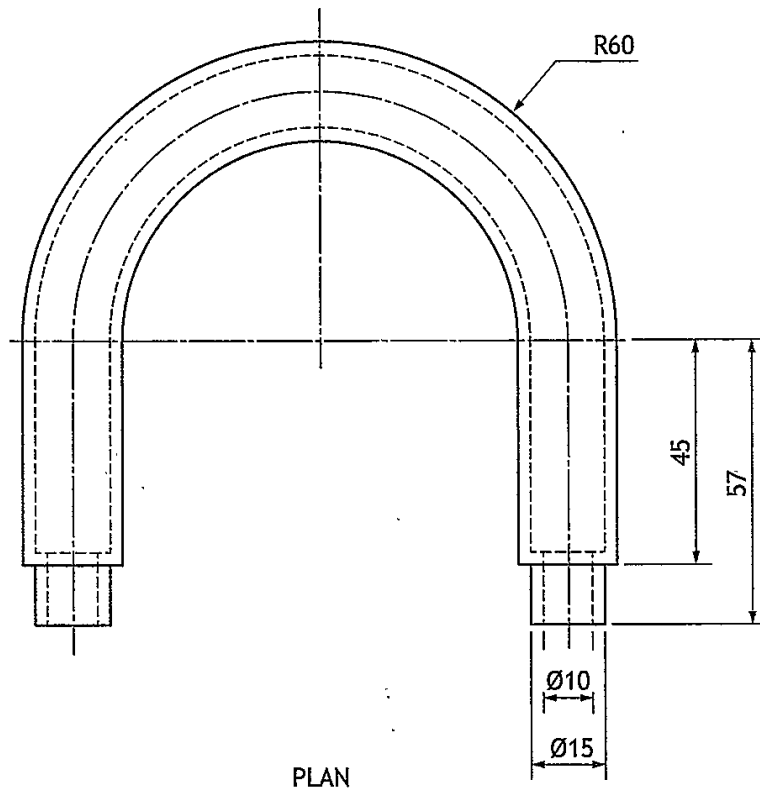
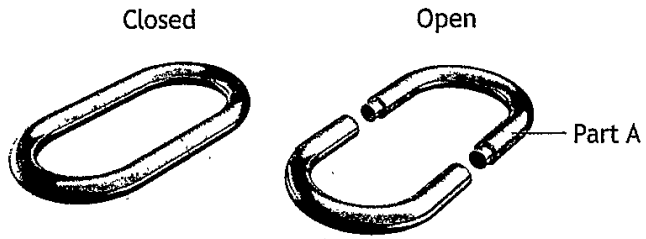
- (c) Explain two advantages to the fitness company of promoting their company online rather than in printed media.

2

- more environmentally friendly, as ink isn't bio-degradable
- cheaper, as paper and ink costs don't need to be covered.

[Turn over

2. A 3D CAD illustration of a bicycle lock casing, and an orthographic drawing of Part A, are shown below.



2. (continued)

(a) Describe, using the correct dimensions and 3D CAD modelling terms, how you would use 3D CAD software to model Part A.

You may use sketches to support your answer.

6

• draw this shape with arc and line

• extruded by 20mm

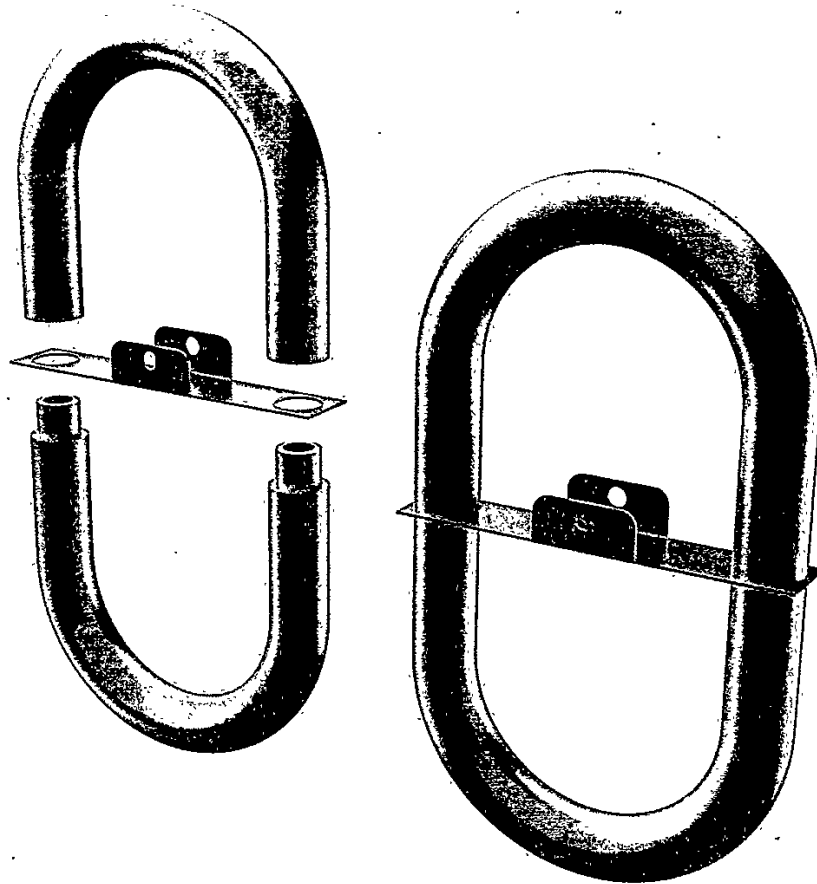
(30)

• fillet edge by R: 5mm

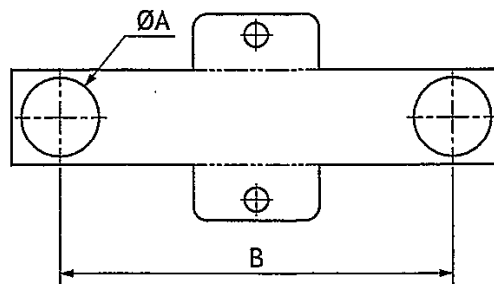
• shell by 2.5mm

2. (continued)

3D CAD illustrations of the bicycle lock with its packaging and a drawing of the packaging are shown.



The packaging sleeve for the bicycle lock is made from card and fits between both parts of the lock. A surface development of the packaging sleeve is shown below.



NOTE: The thickness of the card is not shown and the surface development is not to scale.

2. (continued)

(b) Calculate the minimum dimensions on the surface development for

(i) diameter A 15 mm 1

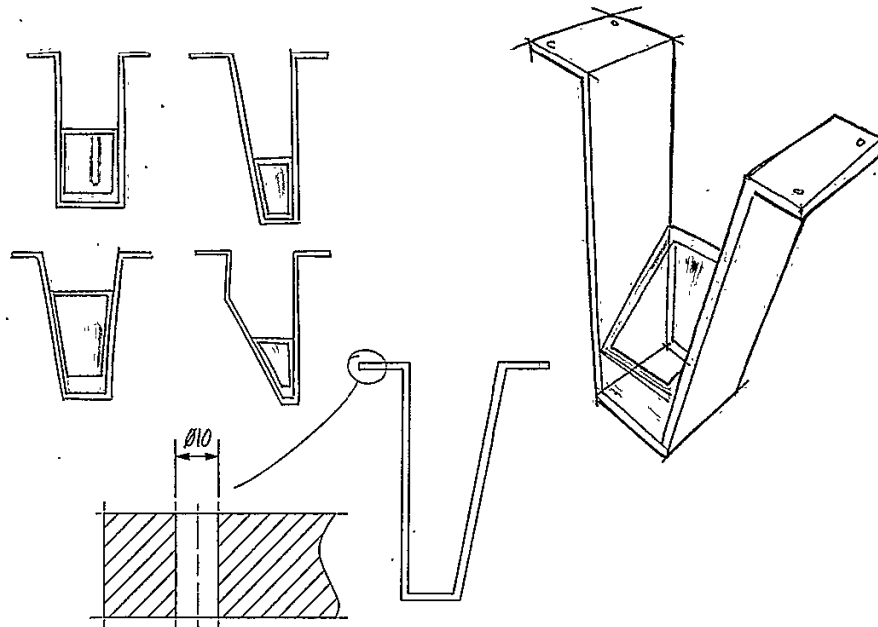
(ii) length B 100 mm 1

(c) Describe how the environmental impact of manufacturing the packaging sleeve can be reduced. 1

remove the ~~size~~ excess material
on the glays and corners

[Turn over

3. A designer has created preliminary sketches for a ceiling-mounted display sign for an airport. The preliminary sketches are shown below.



- (a) Explain the purpose of preliminary sketches.

2

to quickly show a concept of an idea

- (b) State two input devices that could be used to make a digital copy of the preliminary sketches.

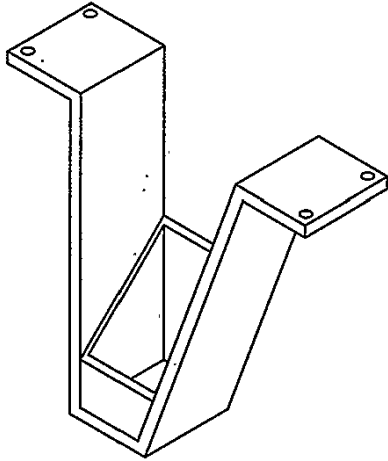
2

camera

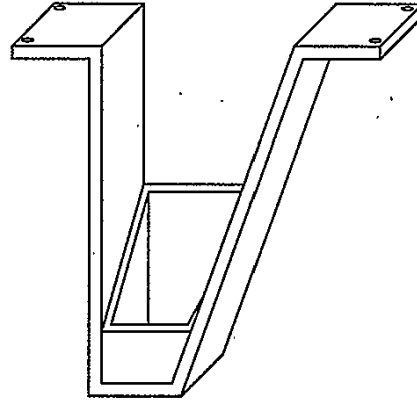
Scanner

3. (continued)

Two pictorial views of the display sign are shown below.



Pictorial A



Pictorial B

(c) State the names of the pictorial views.

2

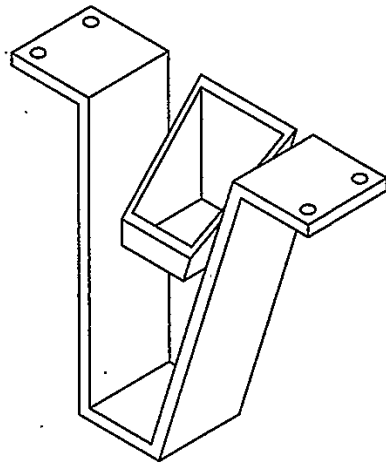
Pictorial A isometric

Pictorial B oblique

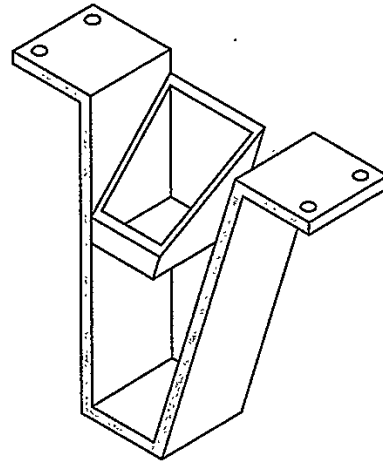
[Turn over

3. (continued)

- (d) The designer used constraints to assemble both parts of the display sign.
The before and after of stage 1 of the assembly is shown below. The grey areas show the surfaces that were constrained in stage 1.



Before



After

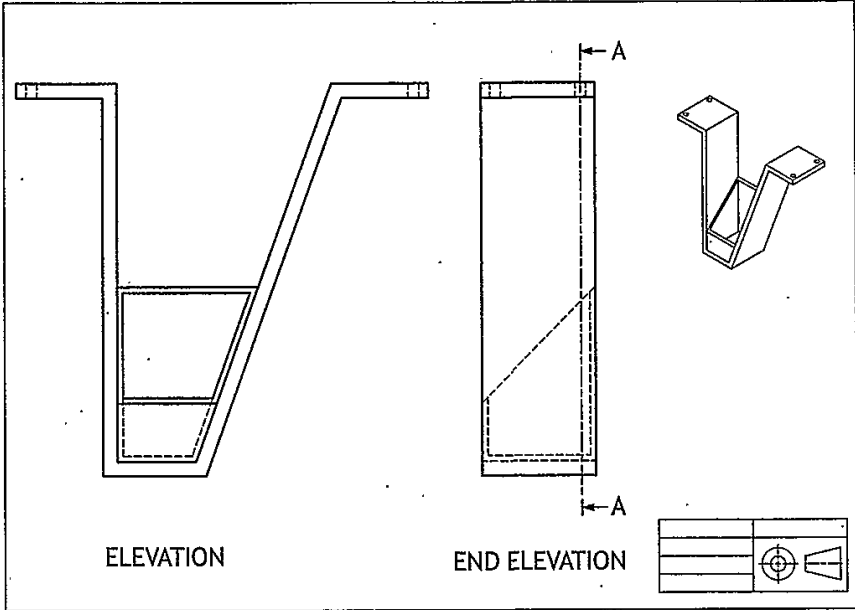
- (i) State the name of the CAD constraint used above. 1
flush
- (ii) State the names of two other constraints used in 3D CAD modelling. 2
mate and insert
- (e) The designer added more parts to the assembly from a CAD library. Explain one advantage to the designer of using a CAD library. 1

they have pre-made shapes to

choose

3. (continued)

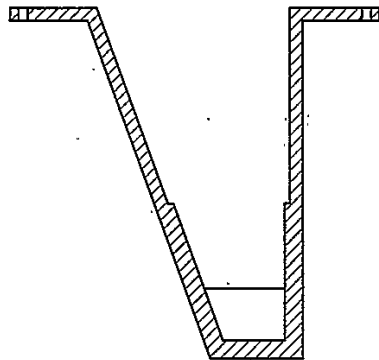
The finished production drawing of the assembly is shown below.

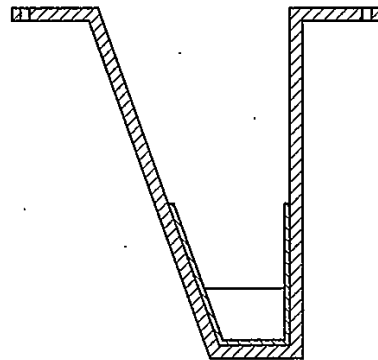


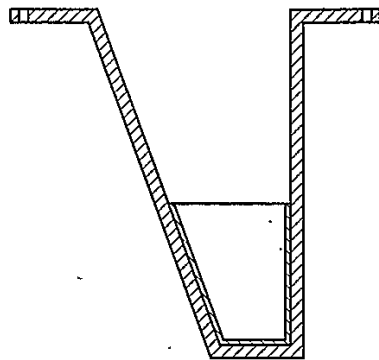
3. (continued)

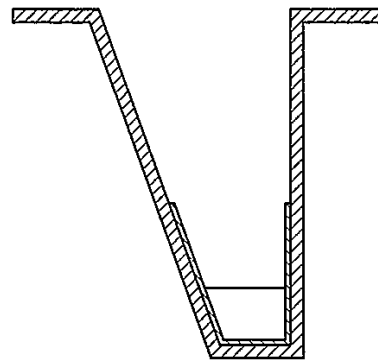
(f) Identify the correct sectional end elevation A-A from the production drawing shown opposite, by ticking (✓) a box below.

1









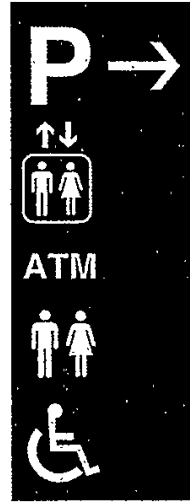
[Turn over

3. (continued)

Two ideas for the airport signs are shown below.



Sign 1



Sign 2

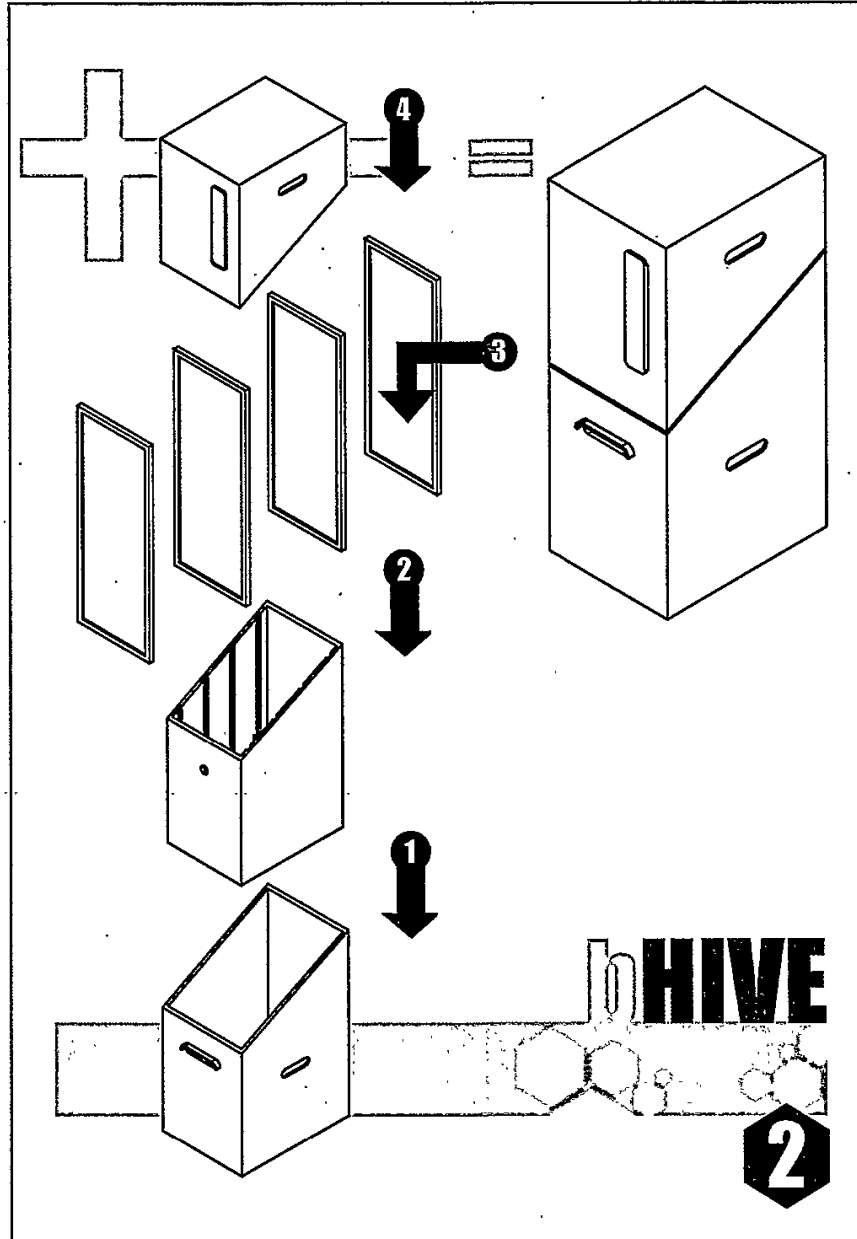
- (g) Explain, giving two reasons, why sign 2 is more appropriate for the airport sign.

2

• They are universal symbols

• the yellow is clear to see on the black background

4. A graphic designer has produced an instruction manual for a beehive, shown below.



4. (continued)

- (a) Explain an advantage to both the user and the manufacturer of not including text within the instruction manual.

(i) User less confusing 1

(ii) Manufacturer less effort 1

Before the final printing of the instruction manual several changes were made to reduce environmental impact.

- (b) Describe one change that could be made to reduce the amount of ink used in the instruction manual opposite. 1

remove the unnecessary things
like the plus and minus signs and
the honey calm strip

[Turn over

4. (continued)

The beehives are available in both primary and secondary colours. The lid and base are sold separately to allow customers to personalise their colour combinations.

- (c) A customer wants to purchase a red lid and a contrasting base.

State the name of a suitable colour.

1

blue

- (d) A customer wants to purchase a violet base and a harmonising lid.

State the name of a suitable colour.

1

pink

- (e) A customer plans to purchase a beehive for use in a school's garden, they have selected both parts in primary colours.

- (i) State the name of two primary colours that could be purchased.

2

red, yellow

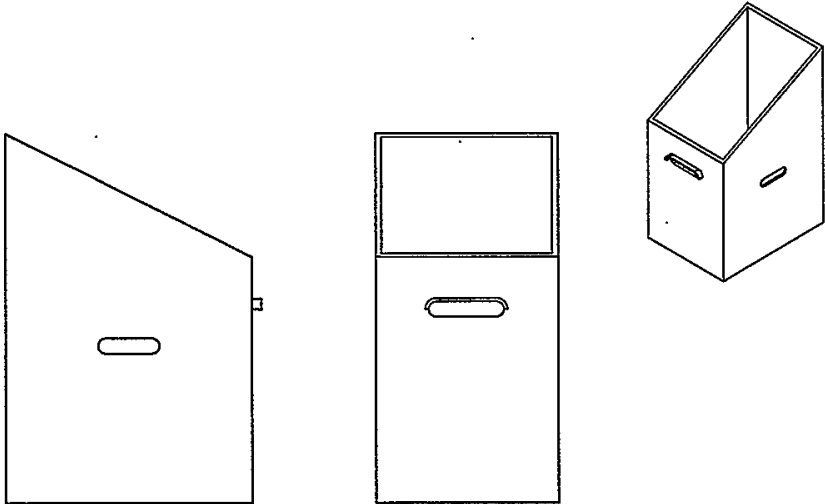
- (ii) Explain why primary colours are suitable for a school garden.

1

they are simple

4. (continued)

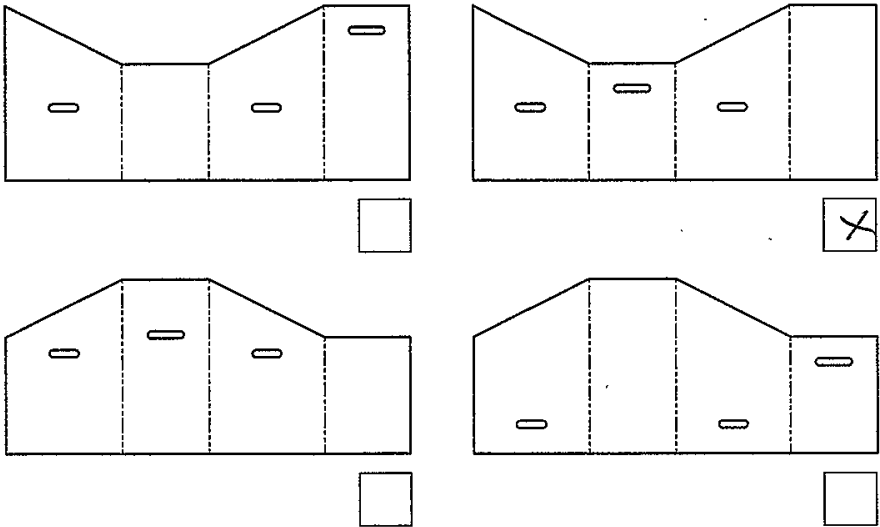
A range of vinyl wraps are being created for the beehive.



Base of beehive

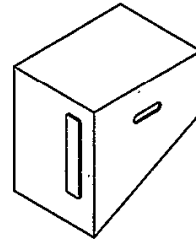
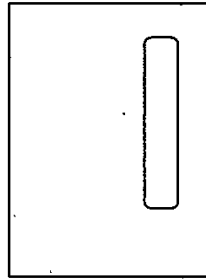
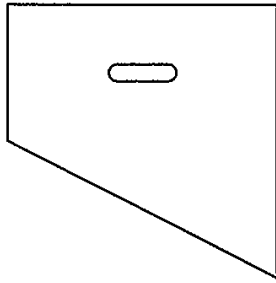
(f) (i) Identify the correct surface development used to create the vinyl wrap for the base of the beehive by ticking (✓) a box below.

1



[Turn over

4. (f) (continued)

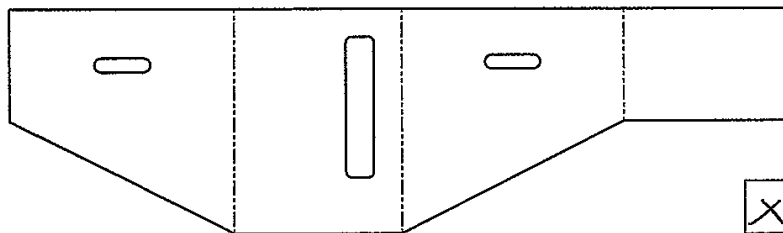
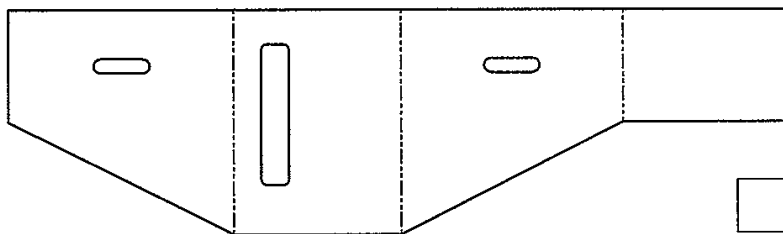
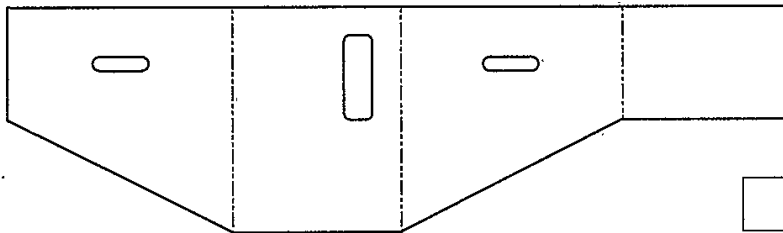
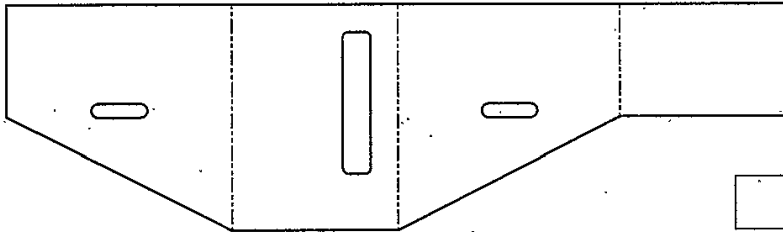


Lid of beehive

4. (f) (continued)

(ii) Identify the correct surface development to create the vinyl wrap for the lid of the beehive by ticking (✓) a box below.

1



[Turn over

5. A new range of salt and pepper shakers are being developed.
A 3D CAD illustration of the salt and pepper shakers is shown below.



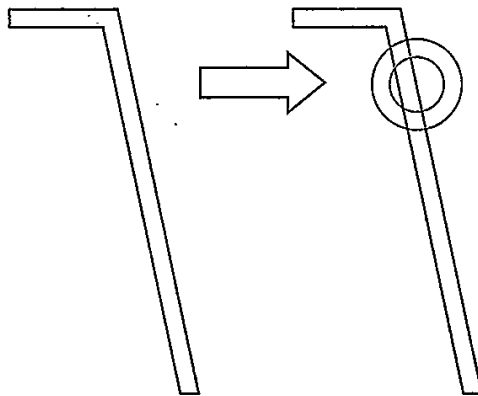
5. (continued)

MARKS

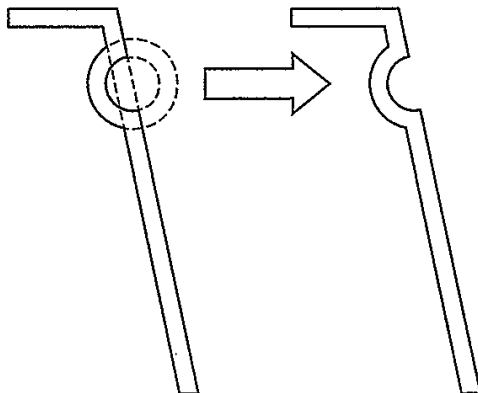
A series of 2D drawing tools were used when modelling the shaker.

- (a) State the name of the 2D CAD drawing tool highlighted in red that is used at each stage.

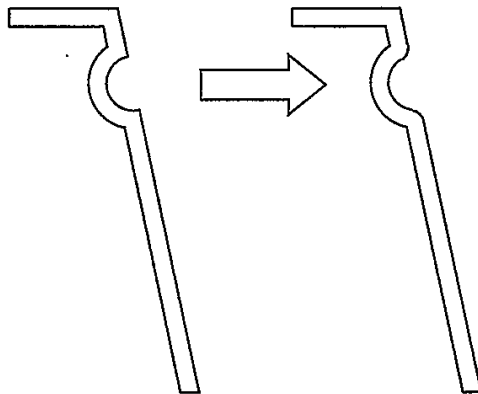
3



(i) tool used: line



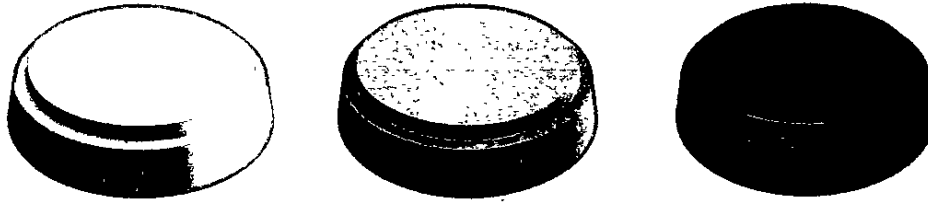
(ii) tool used: arc



(iii) tool used: 2D fill

5. (continued)

The base of the shaker will be made in a range of different woods. For promotional purposes the designer produced a 3D CAD illustration.



- (b) State the name of the technique used to give the greyscale model the appearance of wood.

1

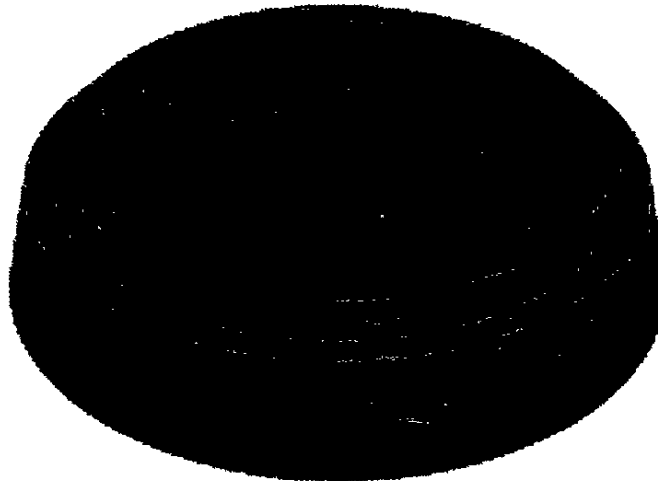
Material

- (c) Describe two benefits of using 3D CAD models for manufacturing.

2

- more environmentally friendly
- more accurate.

The initial renders were dark, pixelated and poor quality.



- (d) Describe one way the designer could improve the final renders.

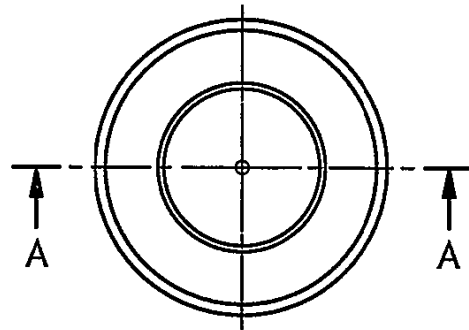
1

Take a high render

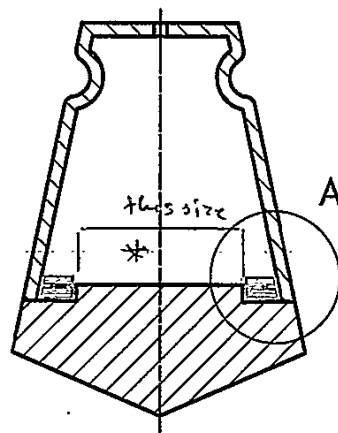
5. (continued)

Modifications were made to the base section of the shaker. A sealing ring was added to stop the two sections separating.

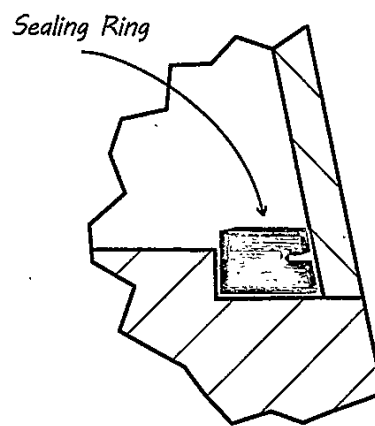
The designer's development sketches for the changes are shown below.



PLAN



Section A-A



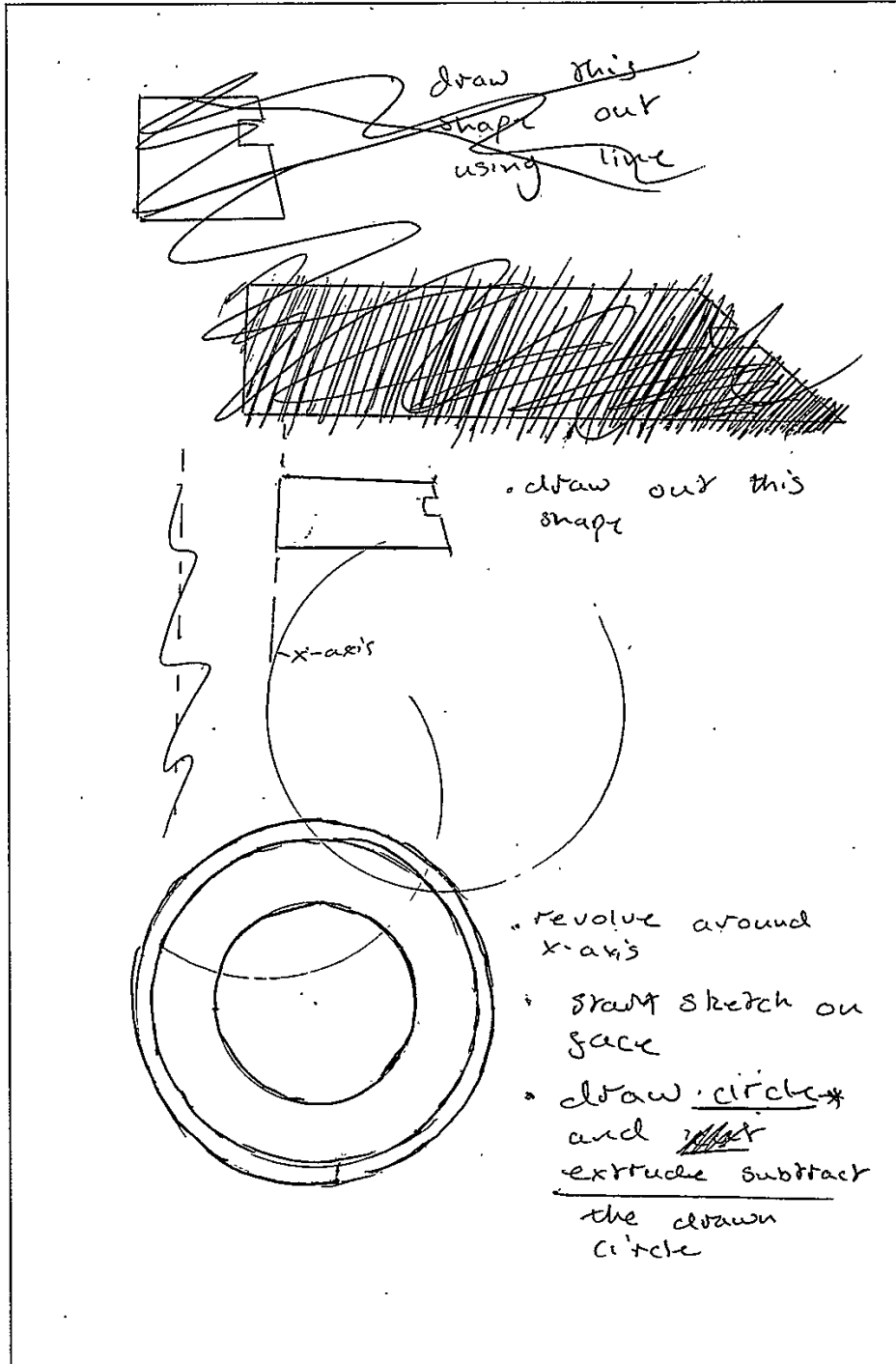
Detail A

5. (continued)

- (e) Describe, using 3D CAD modelling techniques, how the sealing ring would be modelled.

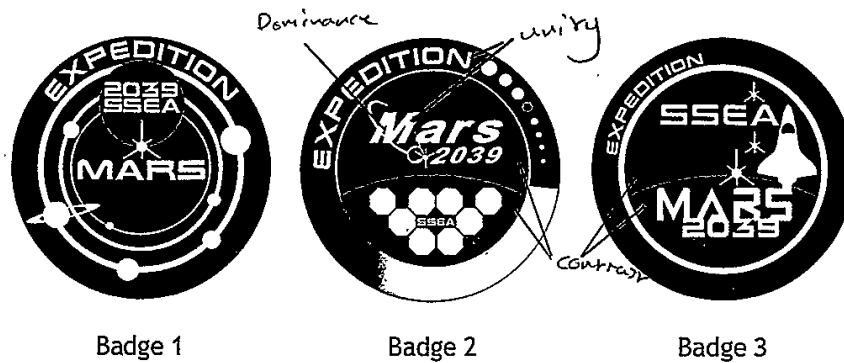
Do not refer to dimensions. You may annotate the line drawing on the opposite page and use sketches to support your answer.

3



6. The Scottish Space Exploration Association (SSEA) are launching a proposal for a base on Mars.

Three promotional badges have been developed for the proposal.



Describe one way the designer has used the following design elements and principles in any of the badges.

- (a) (i) Dominance 1

the *reverse* mars dominated

- (ii) Line 1

the designed uses line
to mimic orbit and planets.

- (iii) Unity 1

all the text is in
reverse

- (b) (i) State whether the font style used in the badges above is Serif or Sans Serif. 1

Sans Serif

- (ii) Explain why this font style is a suitable choice. 1

because sans serif is more technical
looking, which fits space travel as
there are many numbers involved.

6. (continued)

Detail from badge 3 is shown below.



- (c) State the name of the two DTP techniques applied to the word 'expedition'. 2

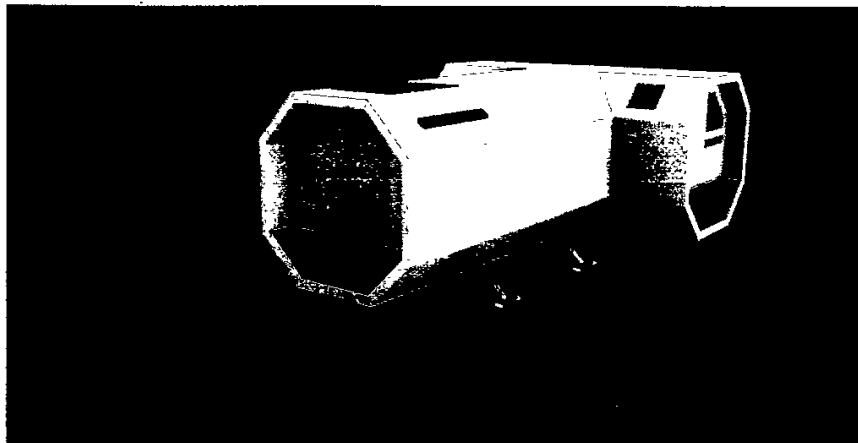
Technique 1 reverse

Technique 2 text along a path

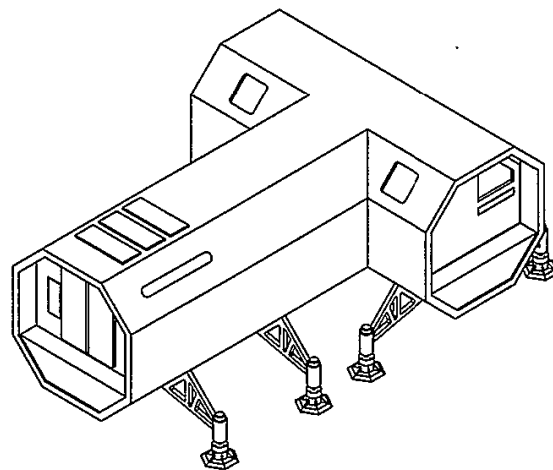
[Turn over

6. (continued)

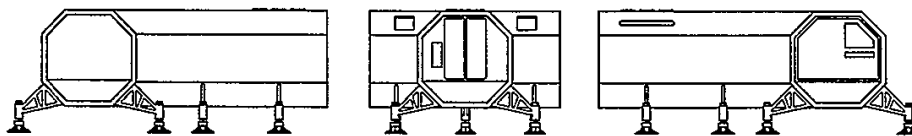
It is proposed that a Mars base will be constructed using identical pods arranged in different ways.



Orthographic elevations and a pictorial view of a single pod are shown below.



Pictorial View



End Elevation

Elevation

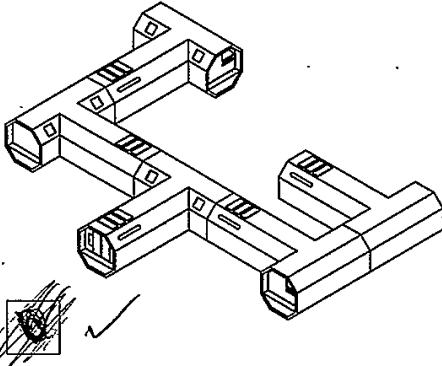
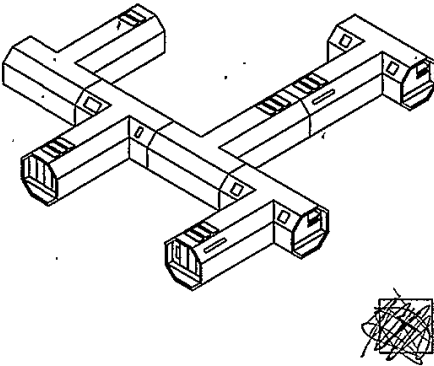
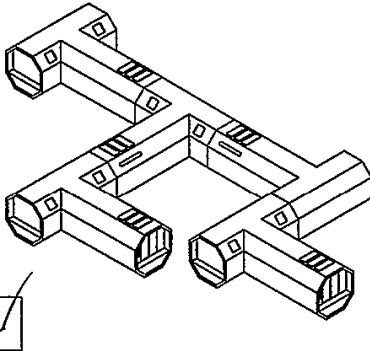
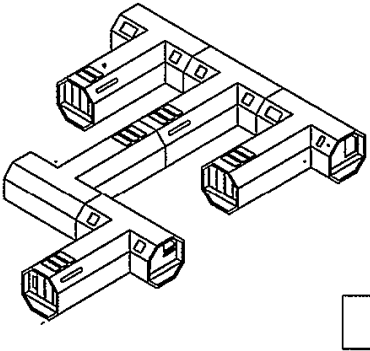
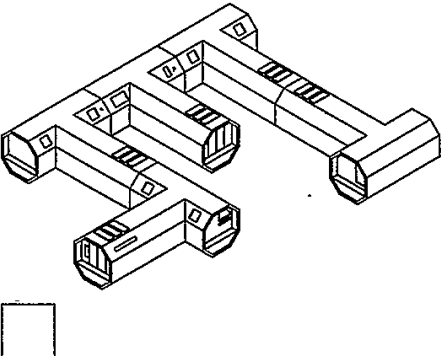
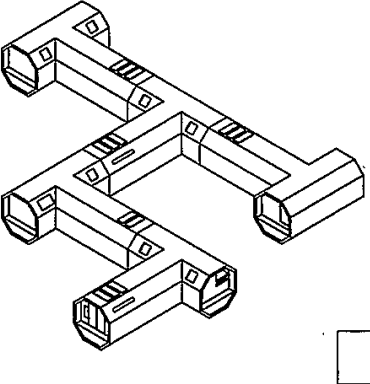
End Elevation

6. (continued)

(d) Several arrangements are shown below. The pod legs have been removed to simplify the drawings.

Identify the two correct arrangements by ticking (✓) two boxes below.

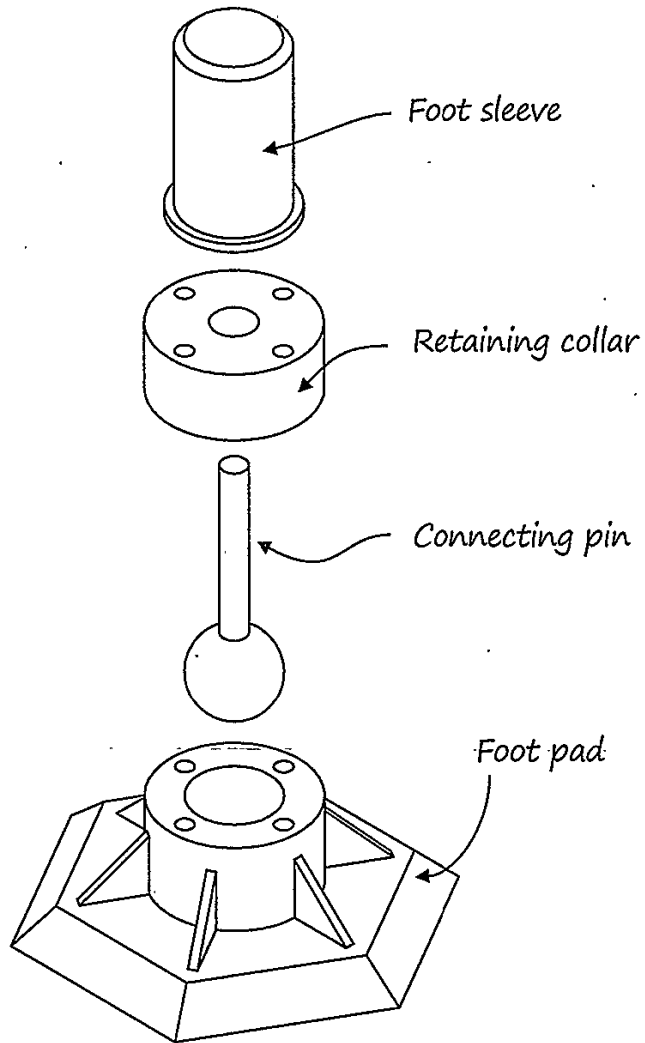
2

[Turn over

6. (continued)

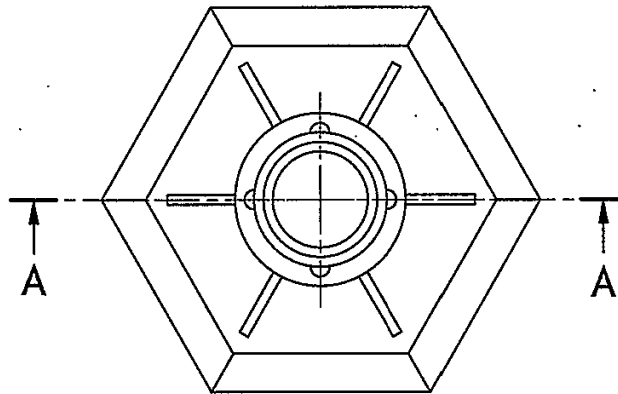
(e) An exploded pictorial of a pod leg is shown below.



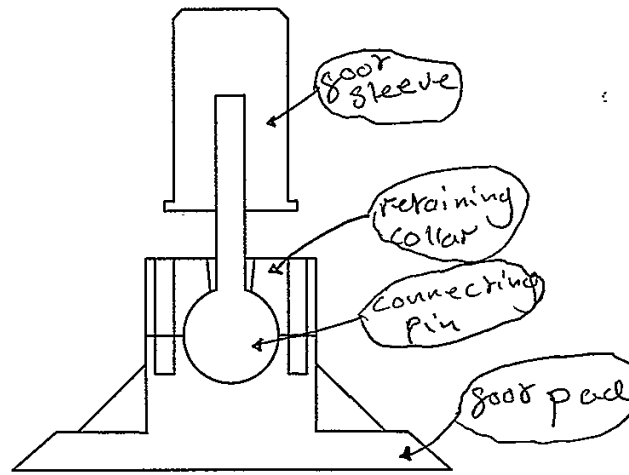
6. (e) (continued)

Identify the foot sleeve, retaining collar, connecting pin and foot pad by labelling the sectional elevation.

4



NOTE:
Centre lines
removed
for clarity



Sectional Elevation A-A

[END OF QUESTION PAPER]