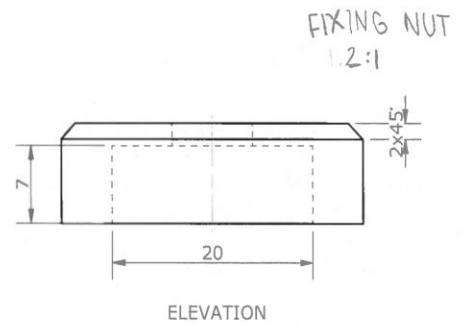
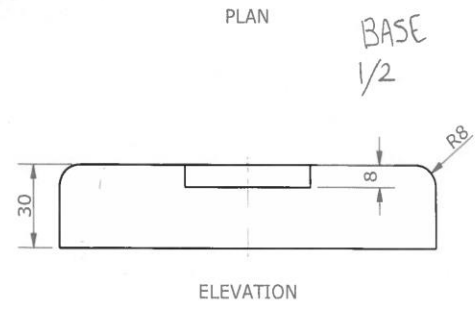
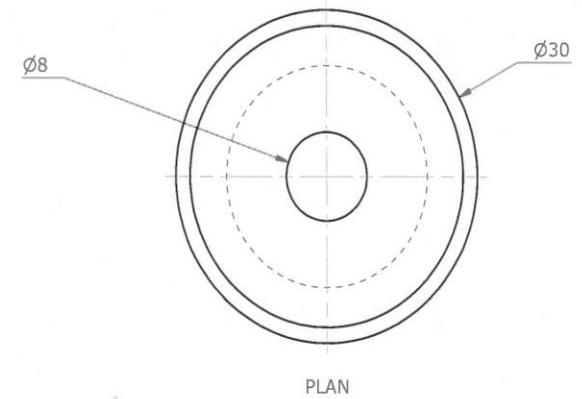
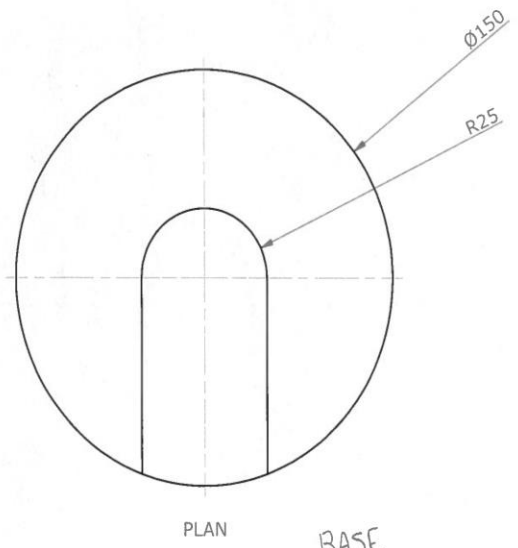
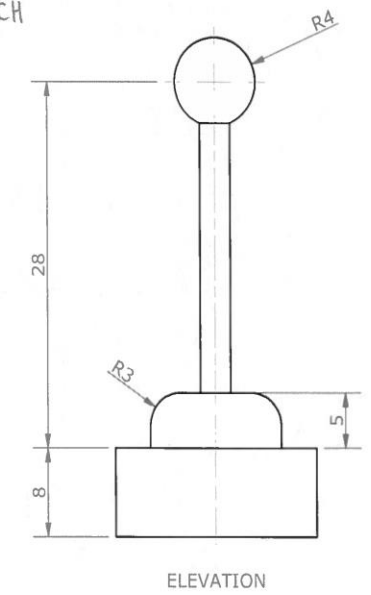


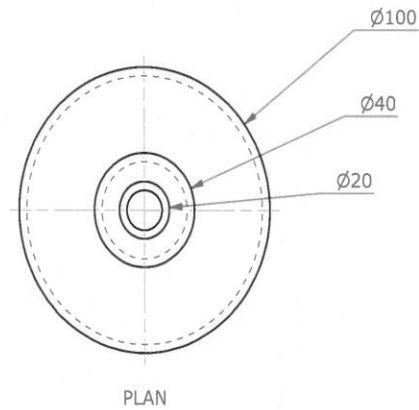
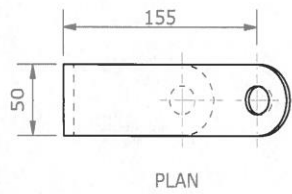
TOGGLE SWITCH
2:1



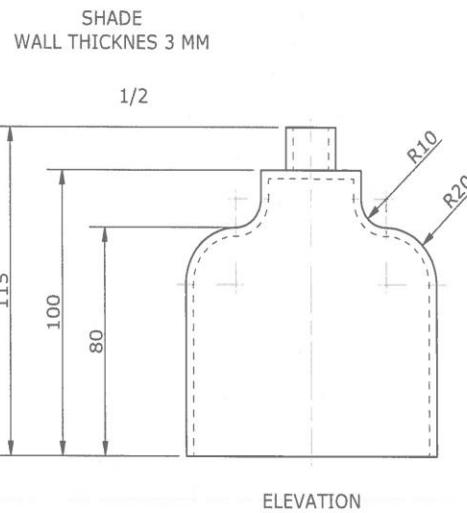
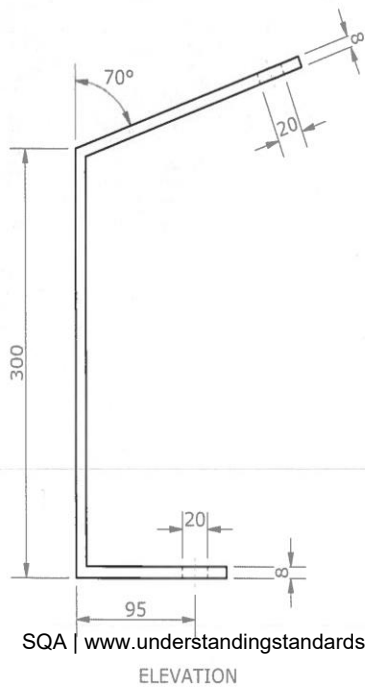
BASE
1/2

FIXING NUT
1:2:1

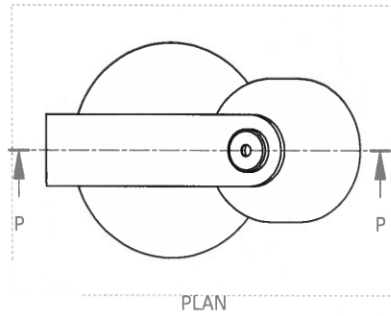
Drawing Title	TOGGLE SWITCH, FIXING NUT, BASE	
Course	Subject here!	
Scale	1 / 2 (unless specified)	<p>ALL SIZES IN MM</p>
Date	28.03.23	
Sheet		
Non-Functional Tolerances		
Manufacture Information		
Note	1 of 8	



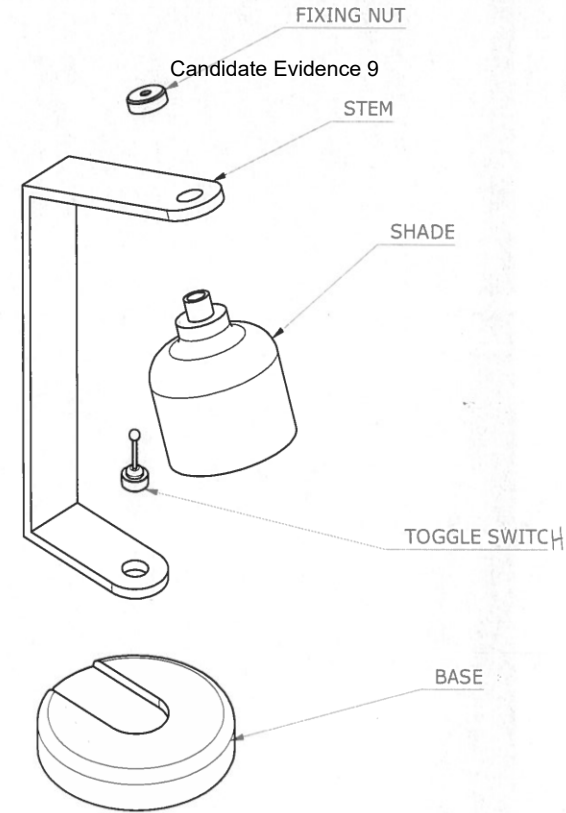
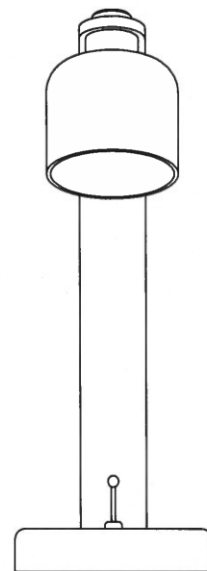
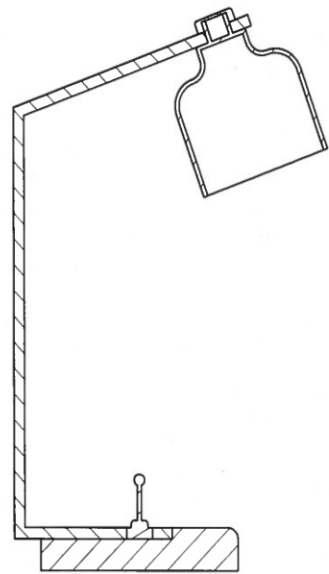
STEM



Drawing Title		SHADE, STEM	
Scale		1 / 4 (unless specified)	
Date		23.03.23	
Sheet		ALL SIZES IN MM	
Non-Functional Tolerances			
Manufacture Information			
Note	2 of 8		



ASSEMBLED LAMP



EXPLODED ISOMETRIC

Drawing Title EXPLODED ISOMETRIC, ASSEMBLED LAMP

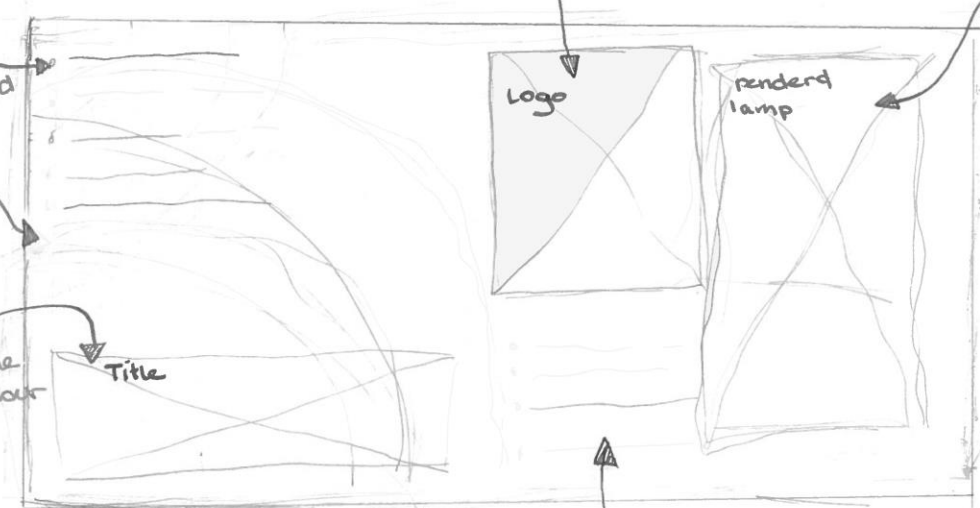
Scale	1 / 4 (unless specified)	
Date	<u>23.3.23</u>	
Sheet		ALL SIZES IN MM
Non-Functional Tolerances		
Manufacture Information		
Note	3 of 8	

text about product using alignment with the bullet points. Also uses unity by using the same colour (blue) from the background.

The logo coloured to same colour as the bullet points. To create unity.

image 8 with background removed & a shadow added behind each colour block. I did this to create depth.

The title coloured white to match & create unity with the new background colour



renderd Lamp potential drop shadow.

more info with matching & creating unity with the rest of the bullet points are aligned with cropped image 8.

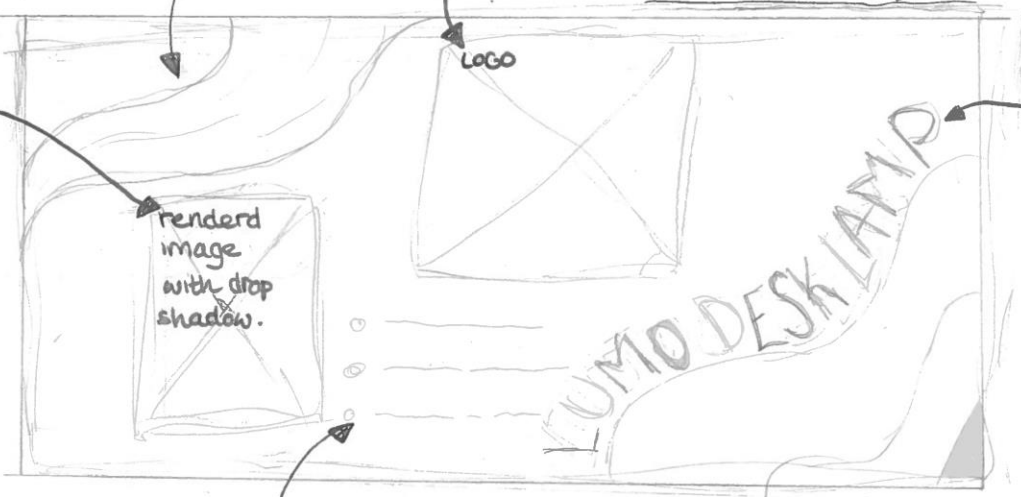
Thumbnail 1

image 3 used. background removed & the new image is copied & put in top left & bottom right to create unity

the logo coloured purple to create unity.

Thumbnail 2

renderd lamp + drop shadow to add depth



title with is flowed along a path

information set in bullet points (coloured purple to create unity) and to create alignment the bullet point are all in line.

create unity by using colour dropper to match the colour of text and scribbles to image 8. (blue, yellow & red).

walnut wood polished

to create depth I used image editor to create highlights and make the image (8) look 3D.

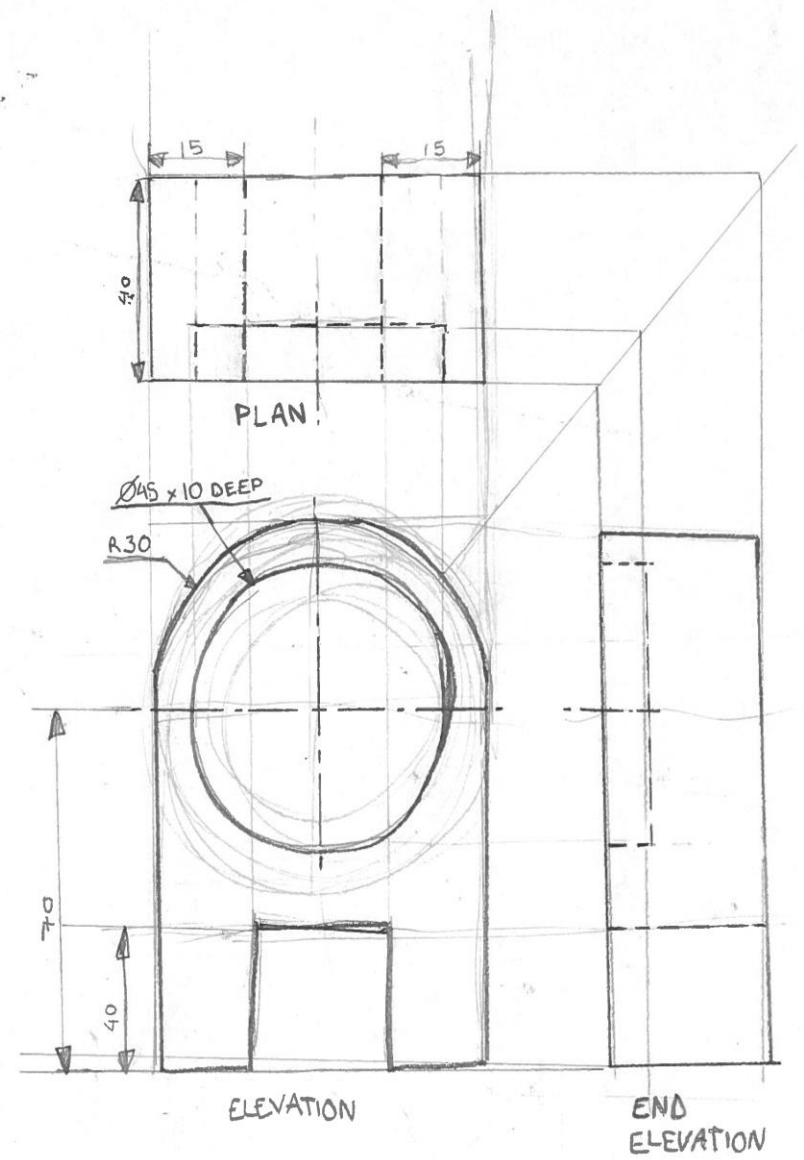
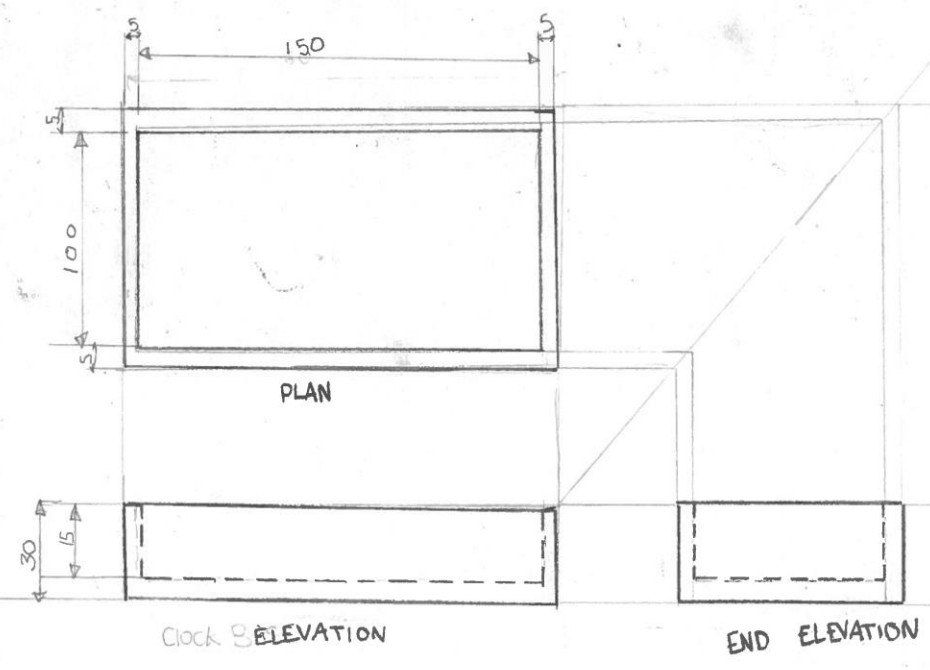
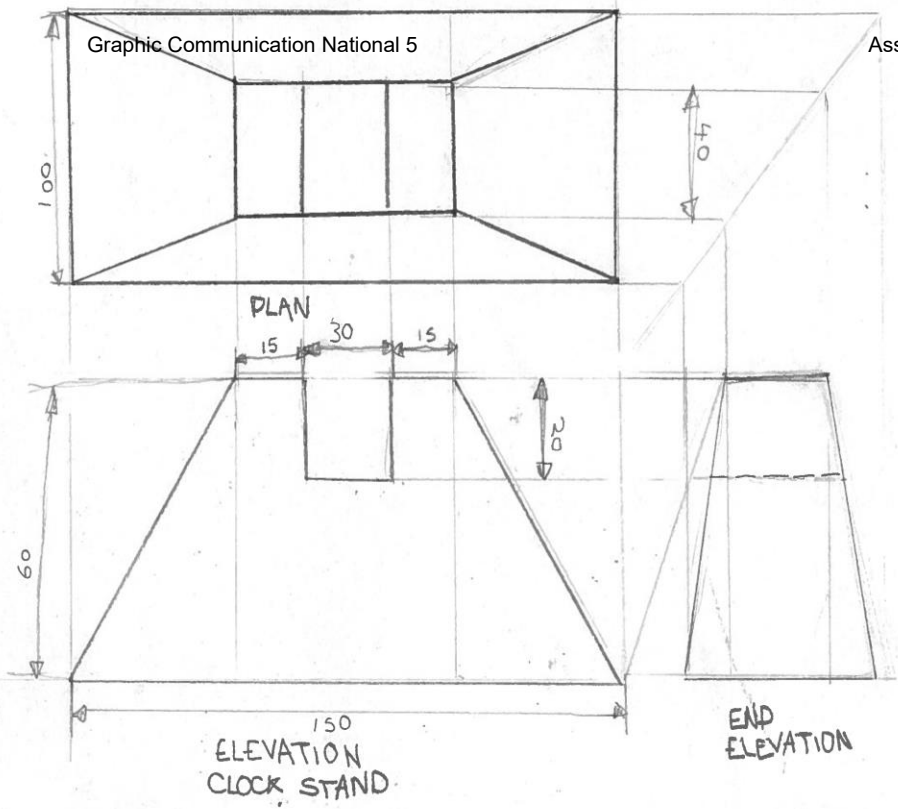
Alignment is shown by aligning the text to the left & using text wrap to draw attention to shape.



- The lamps made out of recycled materials.
- It is very high quality and last for years.
- bright and colour for everyone.
- Instantly brightens the room.
- The lamp is nice.
- Cool and new.
- Fun for kids.

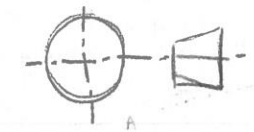
another use of unity & depth using the same colour pallet and adding the colours on top of one another. *blue, yellow & red from image 8.

I have a drop shadow to create depth on the title, logo and the rendered lamp.

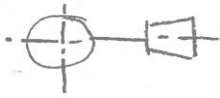


DRAWING TITLE : CLOCK TOP, CLOCK BASE, CLOCK STAND

COURSE : GRAPHIC COMMUNICATIONS NAT 5
SCALE : NOT TO



SCALE : NOT TO



ASSEMBLED CLOCK

