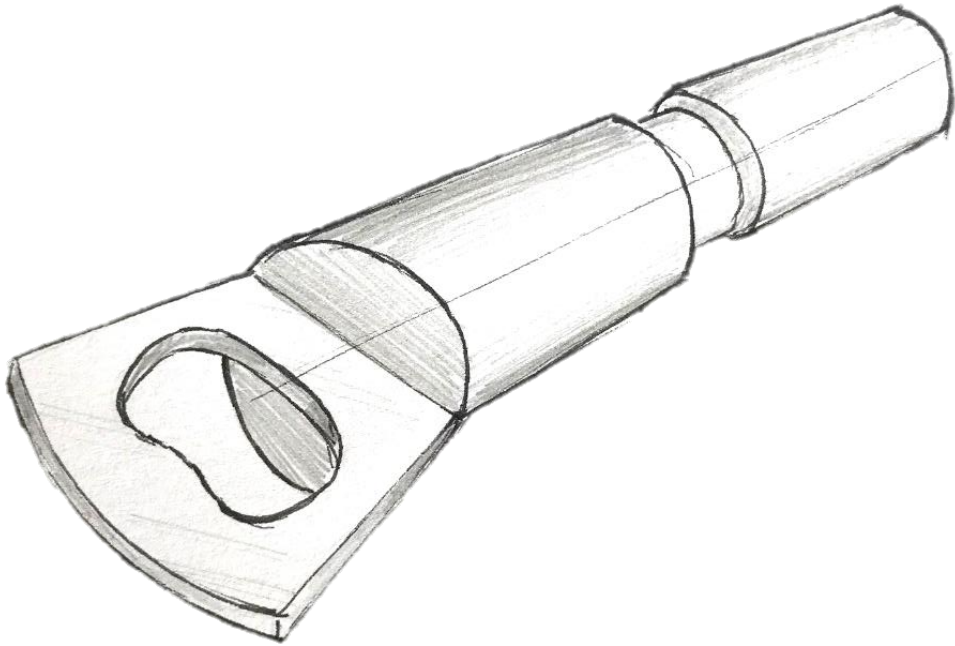


Refinement Task 1

Starting point for Task 1: Refining the bottle opener.

Notes:



Refinement Task 2

Starting point for Task 2: Refining the cup holder through modelling

Notes:

