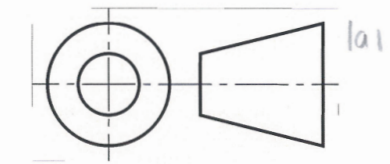
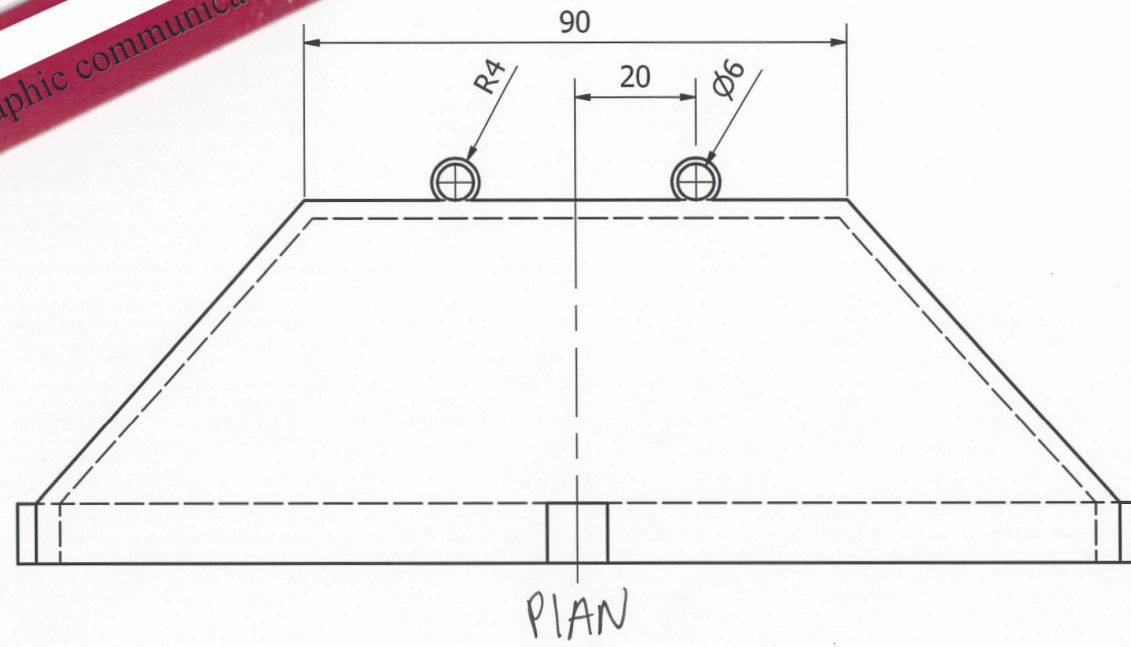
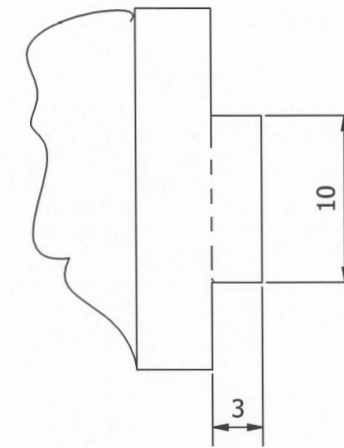


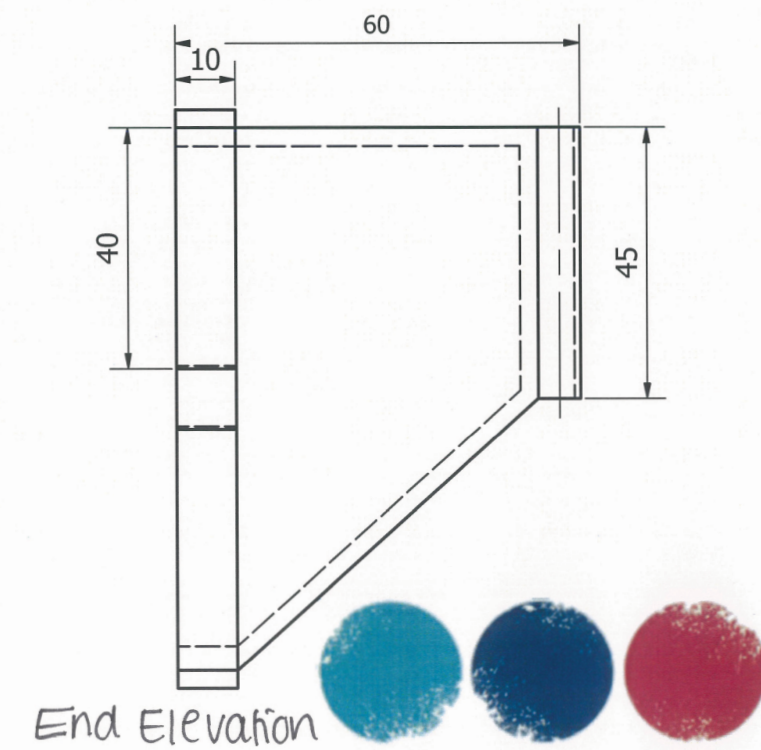
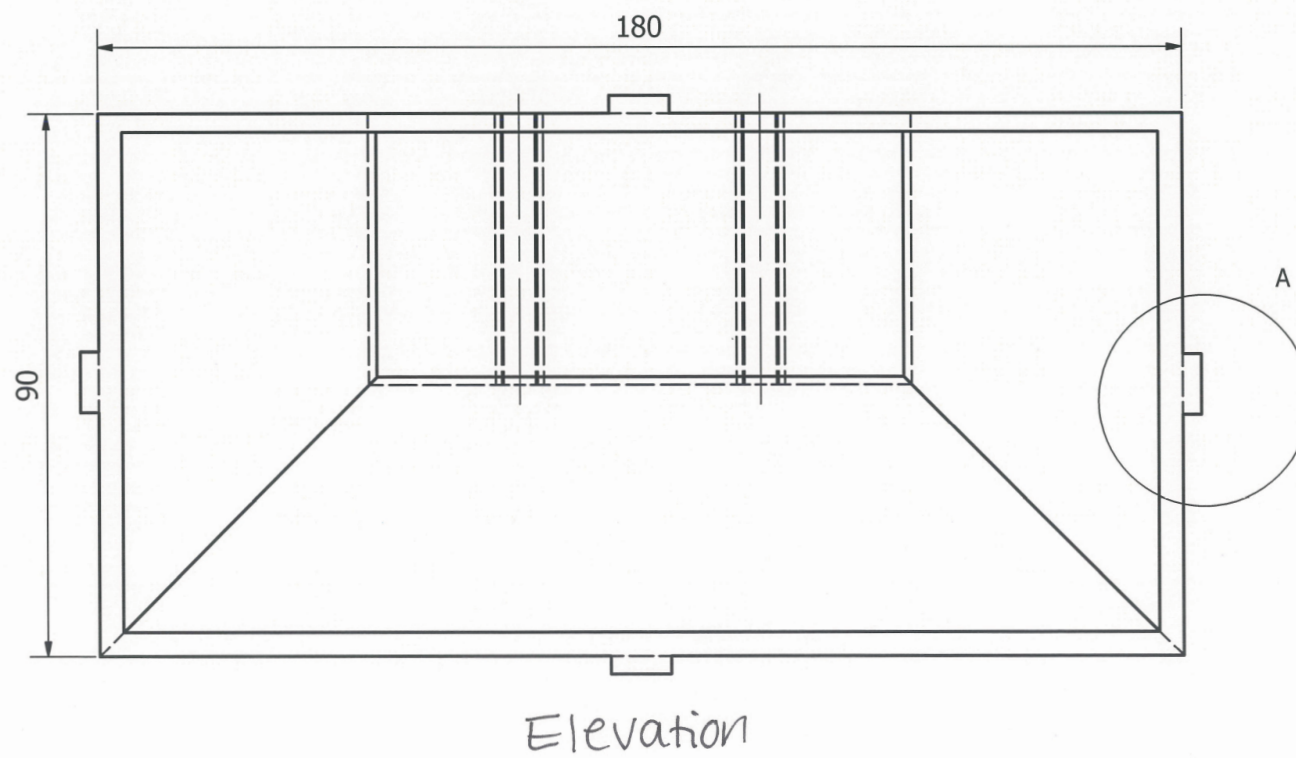
Higher graphic communication

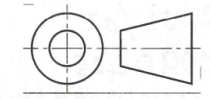


SCALE 1:1
All sizes in mm



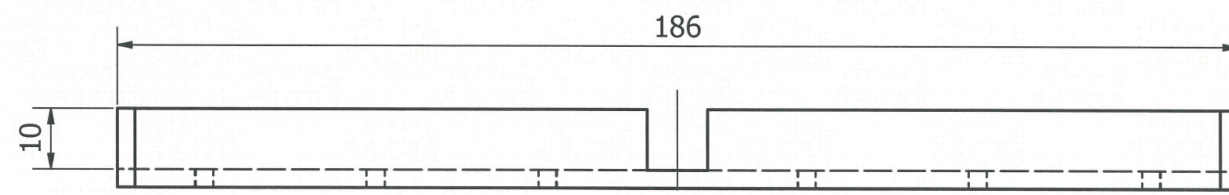
Detail A
enlarged view of rectangular
extrusion around perimeter



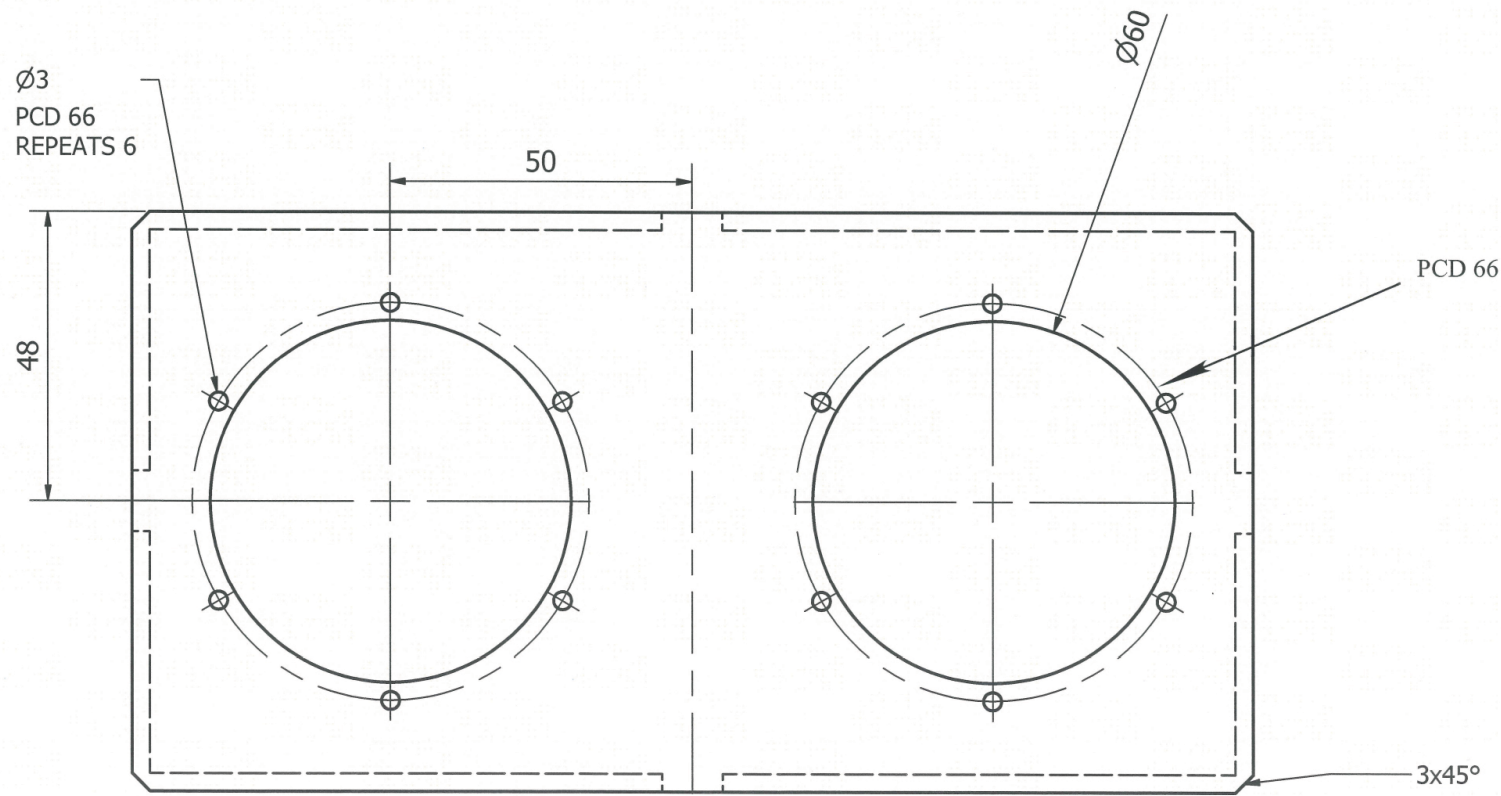


Scale: 1:1
All sizes in mm

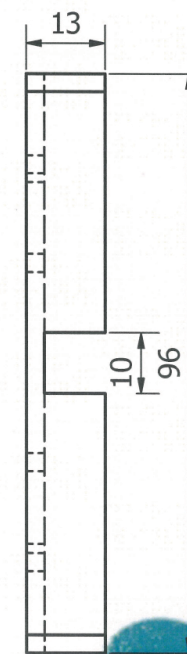
1911



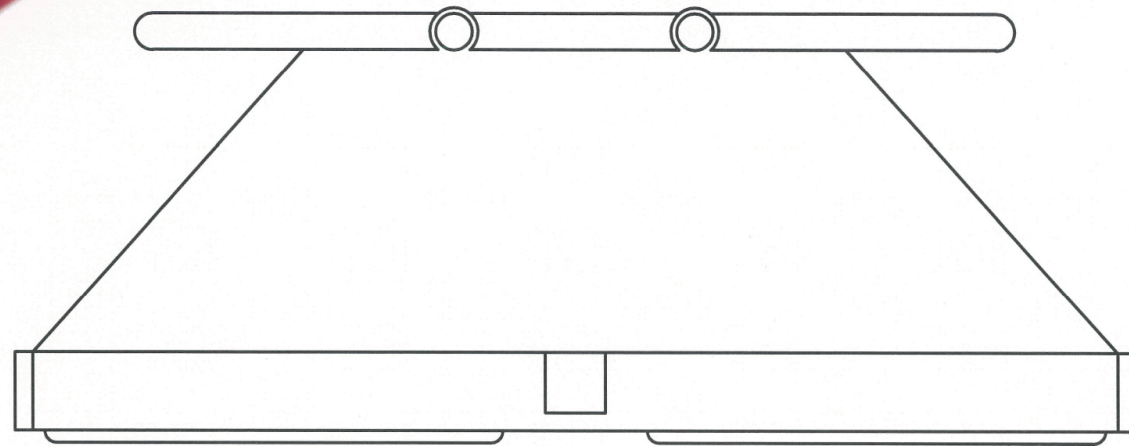
PLAN



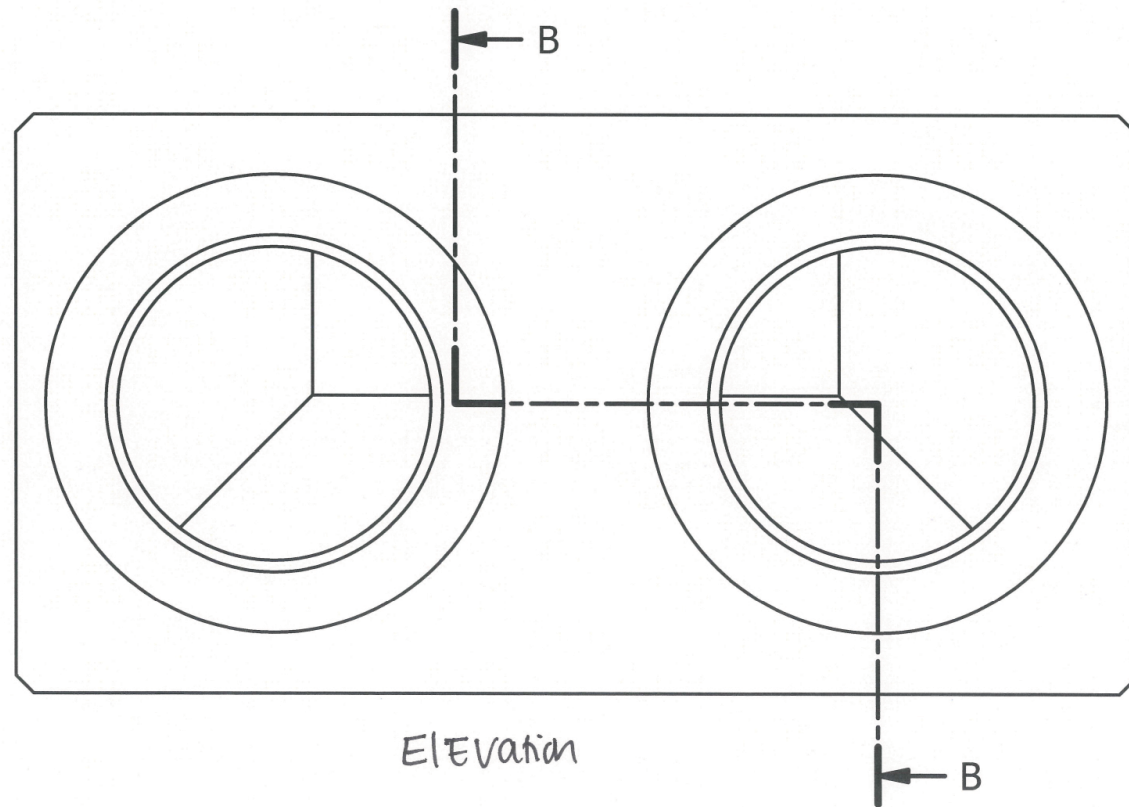
ELEVATION



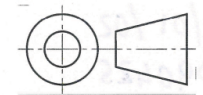
END ELEVATION



Plan



Elevation

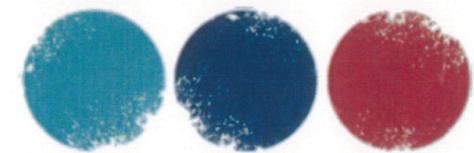
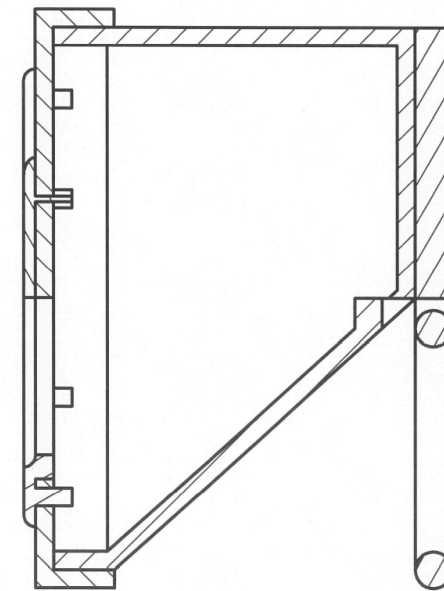


Scale: 1:1

all sizes in mm

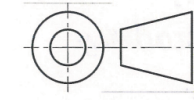
1b.

SECTION: B-B



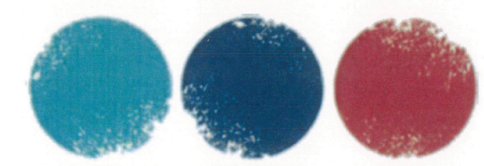
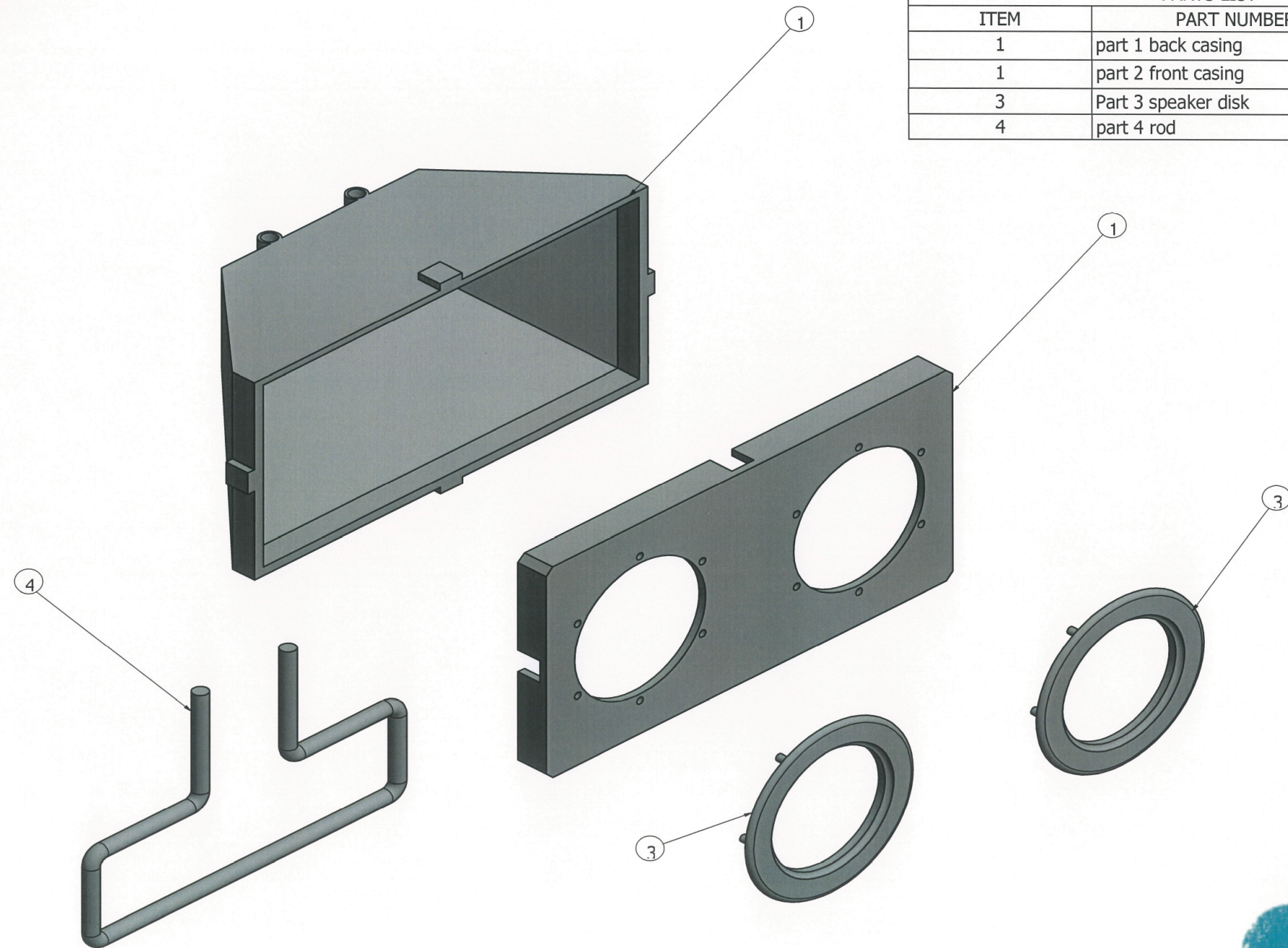


All sizes in mm



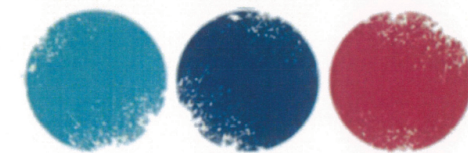
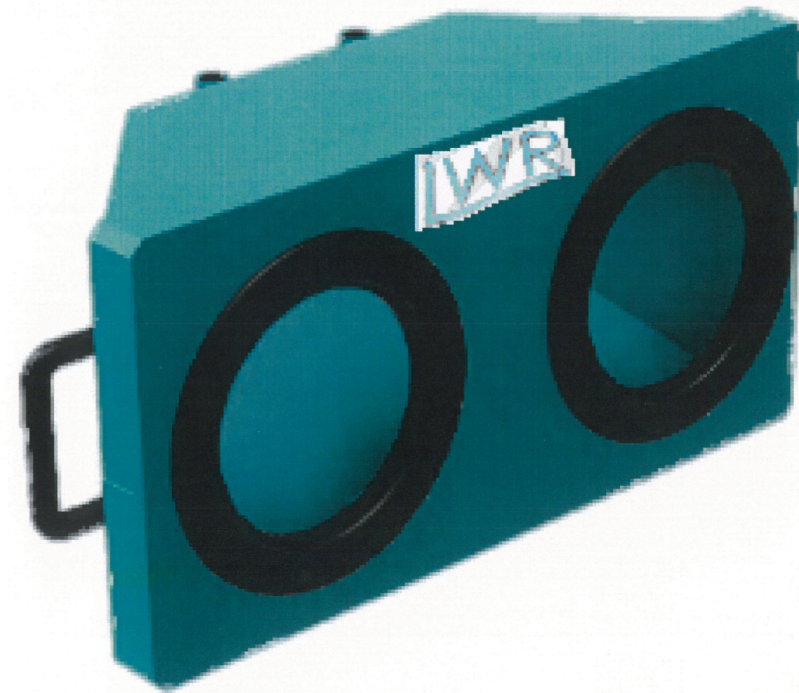
Scale: 1:1

PARTS LIST		
ITEM	PART NUMBER	QTY
1	part 1 back casing	1
1	part 2 front casing	1
3	Part 3 speaker disk	2
4	part 4 rod	1



Higher graphic communication

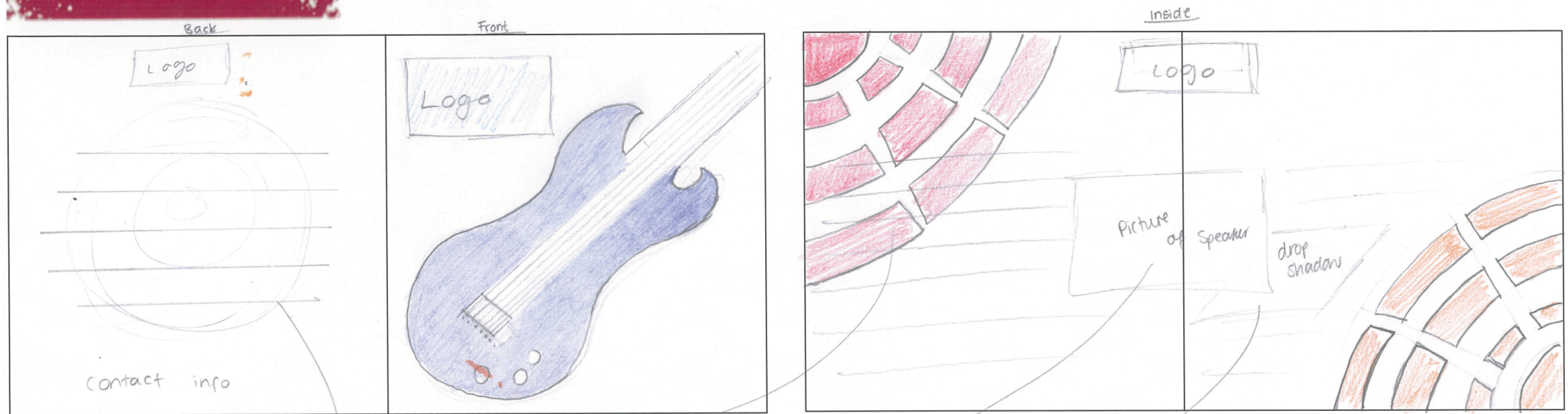
2a.





Thumbnails

2b



Repetition and alignment of logo creates rhythm between front and back of the layout.

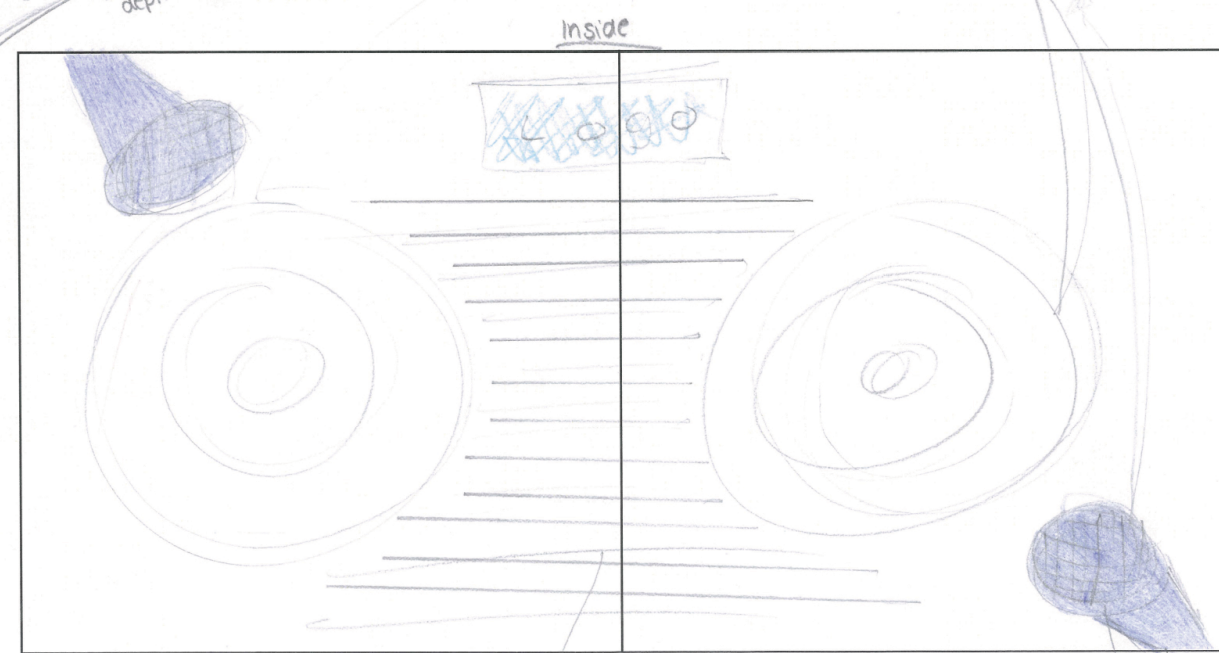
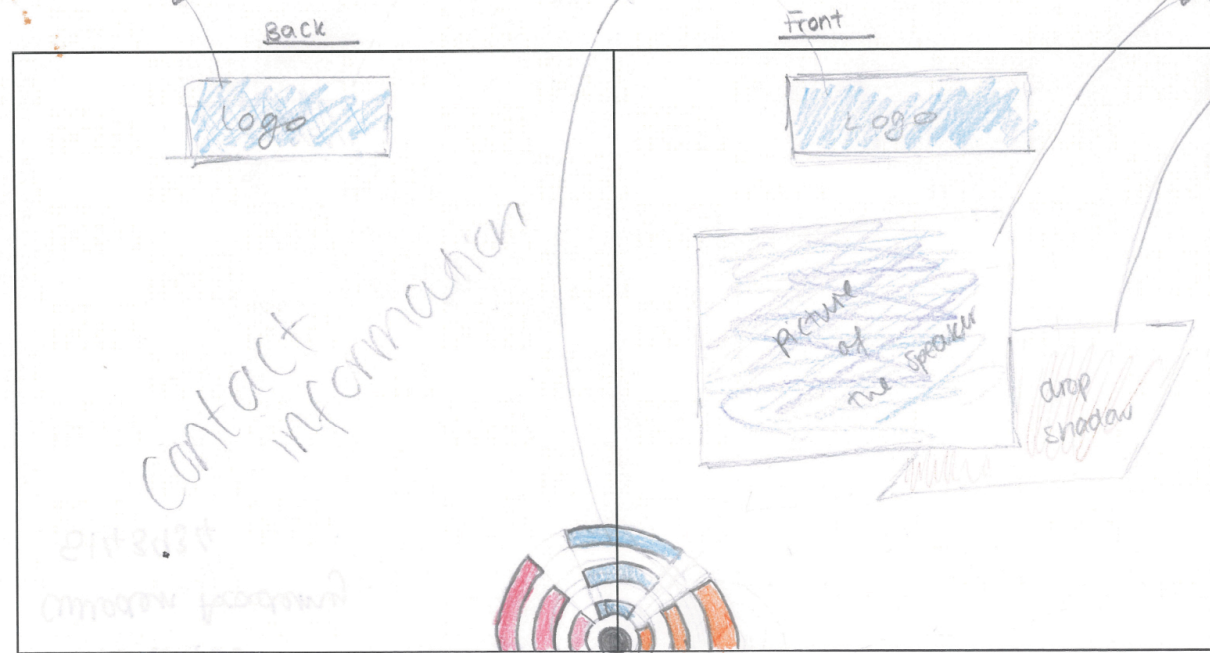
text over picture as a layer creates depth on the back of the layout.

Picture on both sides of the layout creates rhythm between the front and back of layout.

Model in the middle dominates the design in the layout

drop shadow creates depth within the layout

Repetition of the pictures on either side of the inside creates rhythm in the layout



Text going round image creates depth within the layout

Bleed of images creates depth within layout.

Higher Graphic Communication

Thumbnails

Back

Contact Information

Visit our website www.lwrmusic.co.uk for more details on this product."

Text text text

Text text text

Text text text

Front

LWR

The bleed of the image off the layout creates depth, having the guitar come off the page draws the readers eye off the page.

The textured background creates depth within the layout, the textured background contrast with the texture of the guitar.

Drop shadow used creates depth within layout, the drop shadow gives a more realistic look to the layout.

The underlayer of this image below text creates depth within layout.

Image centered creates dominance for image.

drop shadow creates depth for product

Repetition of image creates rhythm throughout layout.

Inside

LWR

"The LWR Music portable wireless speaker remains lightweight, while still delivering a powerful and rich listening experience. The twin-speaker setup produces clean vocal sounds and boasts a powerful bass response.

The musician's wingman – this portable speaker features electric and bass guitar connectivity. This allows you to connect your instrument (using our mobile phone app) directly to your speaker to use as a practice amplifier.

Featuring a range of pre-set sound setups, the LWR Music portable wireless speaker can be customised to suit your every need; from house party music, to relaxation sounds. The compact nature of this speaker makes it an ideal product if you are on the move, or simply enjoy listening to your sounds in a variety of rooms and locations around your home.

Alignment of text creates rhythm with the back of the layout, the readers eyes are drawn from top to bottom meaning an easy read.

Image on both sides of the layout creates rhythm from the front to the back of the layout.

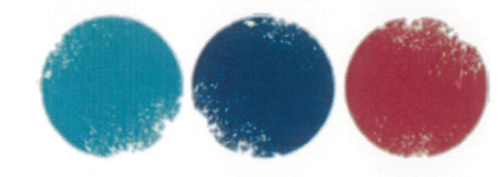
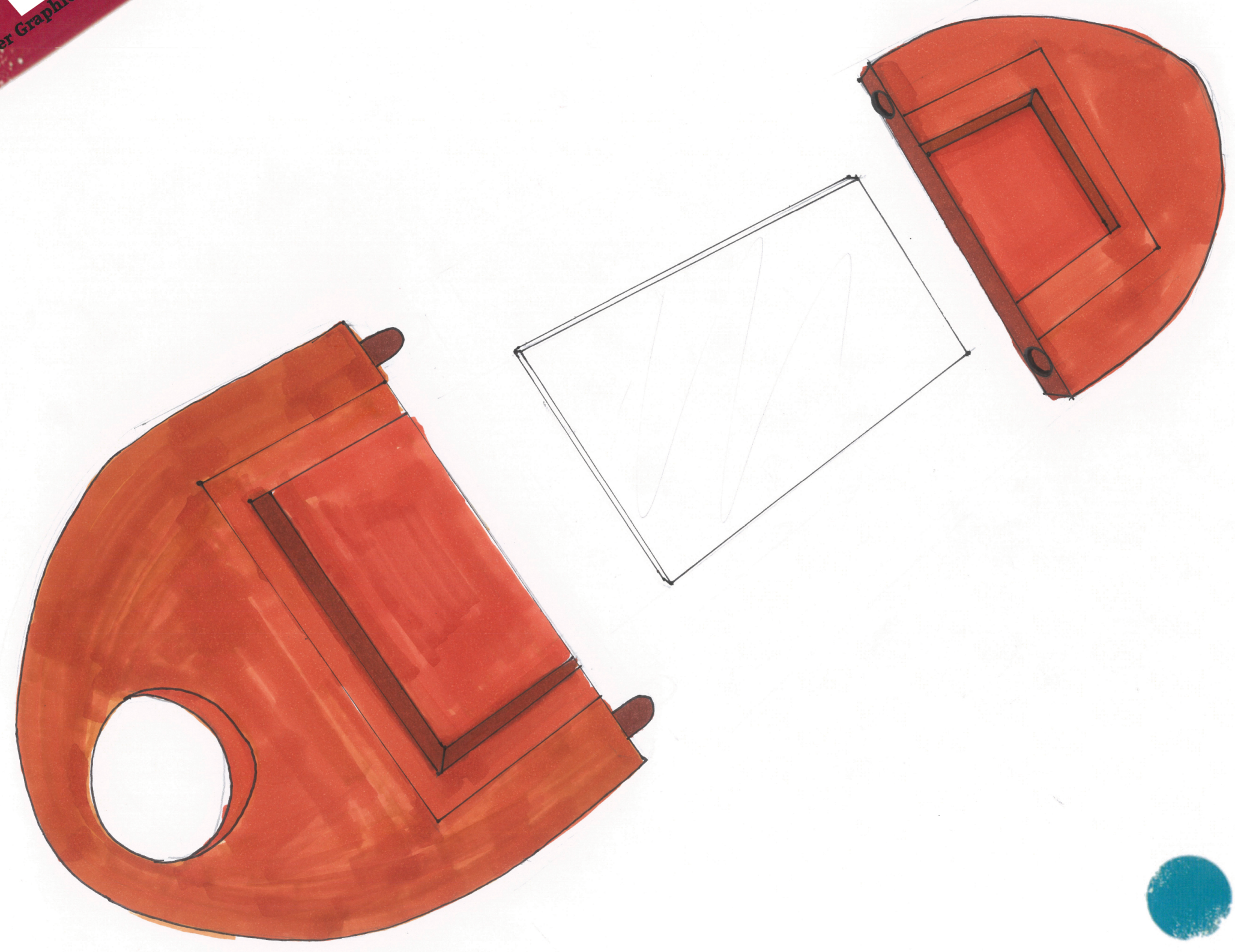
Repetition of textured background creates depth as well as rhythm throughout layout.

Having the same colours allows the readers eye to focus more on the text.

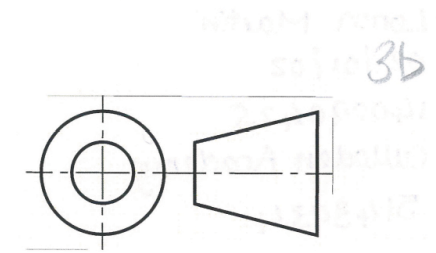
The same use of colour used in logo and text creates unity and rhythm.



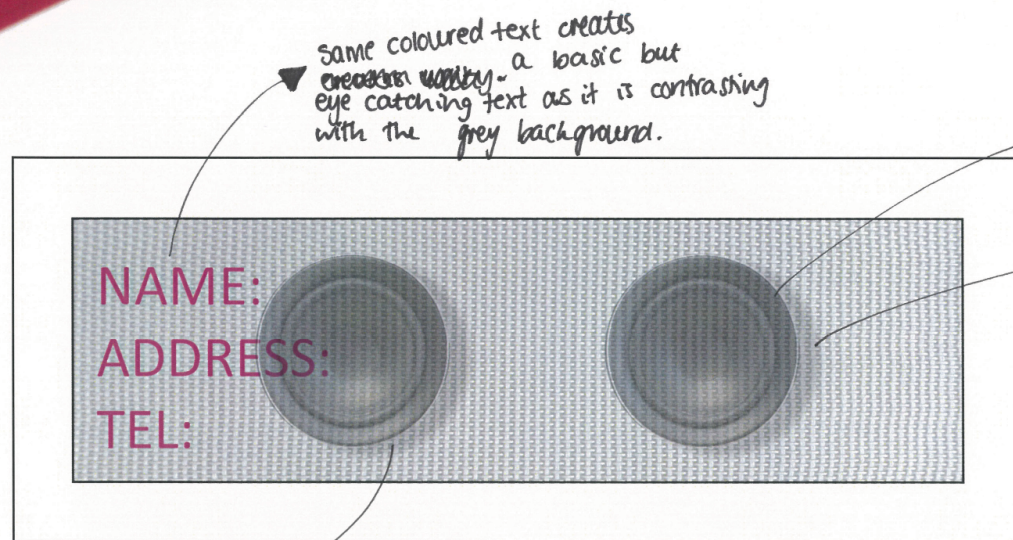
Handwritten notes in the top right corner, including the number "3a" and some illegible scribbles.



Higher graphic communication



SCALE: 2:1

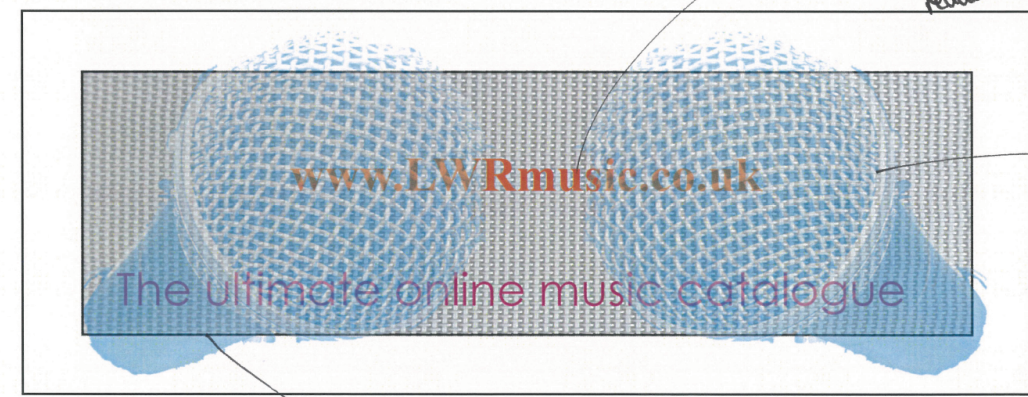


Same coloured text creates eye catching text as it is contrasting with the grey background.

Transparency creates unity, having the speaker transparent allows it to join with the background creating unity.

Drop shadow creates depth, having a drop shadow on this image creates depth to the image as without it, it wouldn't look realistic

Repetition of image creates rhythm and unity, having a repeat of the speaker allows me to create a more realistic looking speaker for the user to see.



Centered creates dominance, having the website logo located in the middle draws the readers eye to what the company would want to look at.

Transparency creates unity, by creating transparency of the mic it joins the the picture and the background creating unity between them both.

Bleed creates depth, by adding a bleed of the image to the layout it creates

