

# Candidate evidence

2

## TASK 1A(i)

The drawing includes the following views and annotations:

- PLAN:** Shows the top view of the holder. It features two circular bases, each with a diameter of 18 mm. The distance between the centers of these bases is 60 mm. The total length of the holder is 160 mm. Two vertical holes are located between the bases, with a diameter of 6 mm. Annotations specify "Blind hole and extrusion height 12 mm" for the upper hole and "Blind hole and extrusion height 6 mm" for the lower hole. A section line AC is shown across the holder.
- ELEVATION:** Shows the front view of the holder. The total length is 160 mm. The distance from the left edge to the center of the first base is 18 mm. The distance between the centers of the two bases is 60 mm. The distance from the center of the second base to the right edge is 6 mm. The height of the holder is 12 mm.
- DETAIL AC (2 : 1):** A magnified view of the section AC. It shows a circular base with a diameter of  $\phi 6$  and a radius of R6. The distance from the center of the base to the section line is 3 mm. The height of the detail is 18 mm. A radius of R10 is shown at the bottom of the detail.
- END ELEVATION:** Shows the end view of the holder. It features a radius of R14 and a height of 6 mm.

Title:	SALT & PEPPER HOLDER
Drawn by:	
Scale:	1:1
All sizes in mm	

3

Rectangle 1x20  
Spacing 1  
Repeats 9

8,5

Repeats 6

10

Y

R17

PLAN

DETAIL Y ( 4 : 1 )

R2,5

**TASK 1A(ii)**  
**Wall Thickness 3.5**

30

165°

17

ELEVATION

X

R10  
FILLET

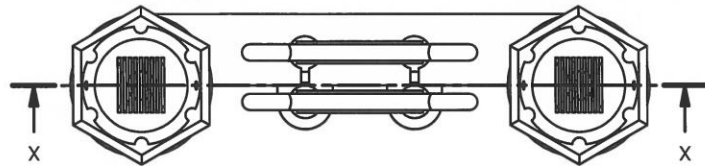
5

5

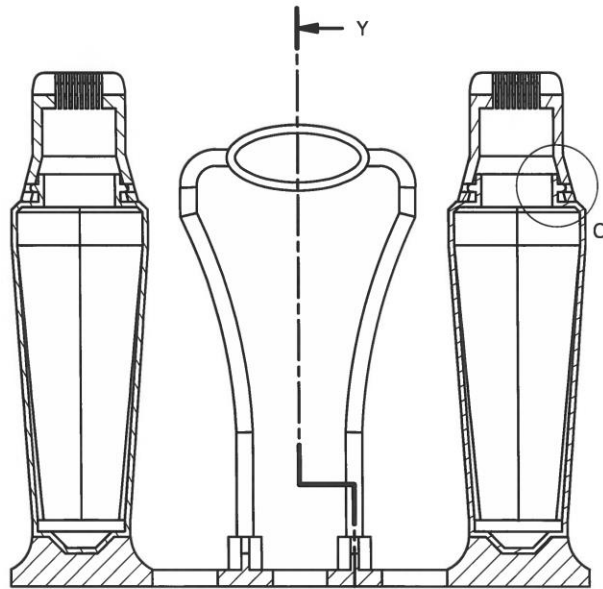
END ELEVATION

Title:	SALT & PEPPER HOLDER
Drawn by:	
Scale:	2:1
All sizes in mm	

4

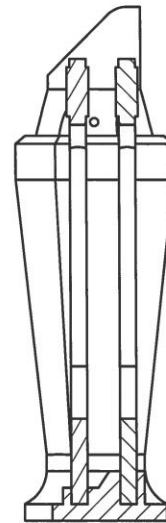


PLAN



SECTION X-X

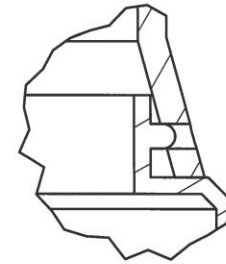
ELEVATION



SECTION Y-Y

END ELEVATION

# TASK 1B

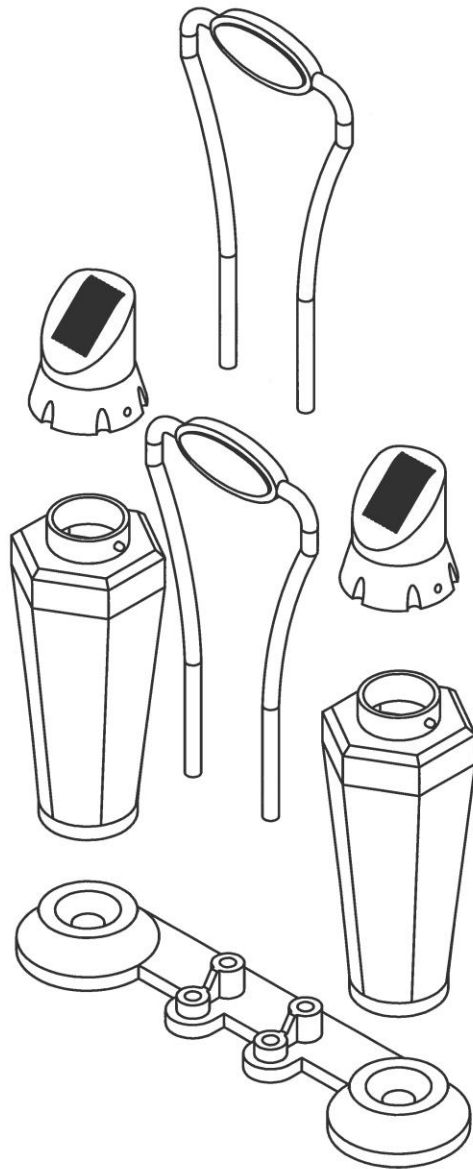


DETAIL C ( 2:1 )

Title:	SALT & PEPPER HOLDER
Drawn by:	
Scale:	1:1.5
All sizes in mm	

5

# TASK 1C



Title:	SALT & PEPPER HOLDER
Drawn by:	
Scale:	1:1.5
	All sizes in mm

6

Task 2a, non annotated

**Coffee**

- Deiana's ristretto
- Americano
- Espresso
- Cappuccino
- Latte

**tea**

- Breakfast tea
- Lemon and ginger
- Peppermint
- Camomile
- Red berry

Dairy-free alternatives available.

**About us**

Deiana's Café is a family-run business based in Aviemore. Mario Deiana moved to Scotland in 1957 and opened a small bakery on Grampian Road in Aviemore. Since opening, the business has expanded and now Deiana's Cafés can be found in locations all across Scotland. The chain of cafés was recently described by local restaurant critic Jeremy Dempsey as, "An outstanding treat that won't be forgotten in a hurry!". Mario retired in 2003 but can still be seen occasionally indulging in his signature Deiana's ristretto coffee in the original Grampian Road café.

*"An outstanding treat that won't be forgotten in a hurry!"*

B1

B2

**Sandwiches** ←

(gluten-free bread available)

- Chargrilled chicken
- Parma ham and mozzarella
- Brie and bacon
- Coronation chickpea **V**
- Roasted vegetables with vegan pesto **VG**

**Toasties** ←

(gluten-free bread available)

- Tuna melt
- Cheese and onion **V**
- Mozzarella, tomato and pesto **V**

→ **Breakfast**

- Home-made granola with berries and Greek-style yogurt **VG**
- Bacon and fried egg breakfast roll
- Croissant with jam and butter **V**
- Smoked salmon bagel
- Fluffy pancakes with maple syrup **VG**

→ **Soups**

- Minestrone **V**
- Tomato and basil **VG**
- Scotch broth

**Sweet Bakery**

- Empire biscuit **VG**
- Strawberry tart **V**
- Fruit scone **V**
- Chocolate brownie **V**  
(Gluten free)
- Millionaire's shortbread **V**
- Lemon and lime cake **VG**
- Red velvet cupcake **V**

Vegetarian – **V**    Vegan – **VG**

A1

A2

7

Task 2a, Annotated

The image shows two pages of a menu for Deiana's Café and Bakery, annotated with design observations. The left page (B1 and B2) features a 'Coffee' and 'tea' section, an 'About us' section, and a stack of pancakes. The right page (A1 and A2) features a 'Sandwiches' section, 'Toasties', 'Breakfast', 'Soups', and a 'Sweet Bakery' section. Annotations include: 'Texture through the background images provided in the E-files.' pointing to the stone wall background; 'Shape created through the Repetitive rectangular shapes on B1 And A1' pointing to the menu's outline; 'Rhythm used in the repeating square text boxes' pointing to the menu items; 'Centre alignment in text, shown by red line.' pointing to the 'Sweet Bakery' section; 'Alignment through text, shown by the red line.' pointing to the 'Breakfast' section; 'Contrasting fonts Through serif and Sans-serif' pointing to the 'Sweet Bakery' title; 'Cropping, background Removed' pointing to the images of a tart and a cupcake; 'Pull quote' pointing to the quote in the 'About us' section; and 'Contrasting fonts' pointing to the 'About us' text.

**Annotations:**

- Texture through the background images provided in the E-files.
- Shape created through the Repetitive rectangular shapes on B1 And A1
- Rhythm used in the repeating square text boxes
- Centre alignment in text, shown by red line.
- Alignment through text, shown by the red line.
- Contrasting fonts Through serif and Sans-serif
- Cropping, background Removed
- Cropping, background removed
- Cropping, background removed
- Pull quote
- Contrasting fonts

**Menu Content:**

**Coffee**

- Deiana's ristretto
- Americano
- Espresso
- Cappuccino
- Latte

**tea**

- Breakfast tea
- Lemon and ginger
- Peppermint
- Camomile
- Red berry

**About us**

Deiana's Café is a family-run business based in Aviemore. Mario Deiana moved to Scotland in 1957 and opened a small bakery on Grampian Road in Aviemore. Since opening, the business has expanded and now Deiana's Cafés can be found in locations all across Scotland. The chain of cafés was recently described by local restaurant critic Jeremy Dempsey as, "An outstanding treat that won't be forgotten in a hurry!". Mario retired in 2003 but can still be seen occasionally indulging in his signature Deiana's ristretto coffee in the original Grampian Road café.

**"An outstanding treat that won't be forgotten in a hurry!"**

**Sandwiches**

- (gluten-free bread available)
- Char grilled chicken
- Parma ham and mozzarella
- Brie and bacon
- Coronation chickpeas
- Roasted vegetables with vegan pesto

**Toasties**

- (gluten-free bread available)
- Tuna melt
- Cheese and onion
- Mozzarella, tomato and pesto

**Breakfast**

- Home-made granola with berries and Greek-style yogurt
- Bacon and fried egg breakfast roll
- Croissant with jam and butter
- Smoked salmon bagel
- Fluffy pancakes with maple syrup

**Soups**

- Minestrone
- Tomato and basil
- Scotch broth

**Sweet Bakery**

- Empire biscuit
- Strawberry tart
- Fruit scone
- Chocolate brownie (Gluten free)
- Millionaire's shortbread
- Lemon and lime cake
- Red velvet cupcake

**Vegetarian - V**

**Vegan - VG**

8

Task 2b



9

Task 2b.



