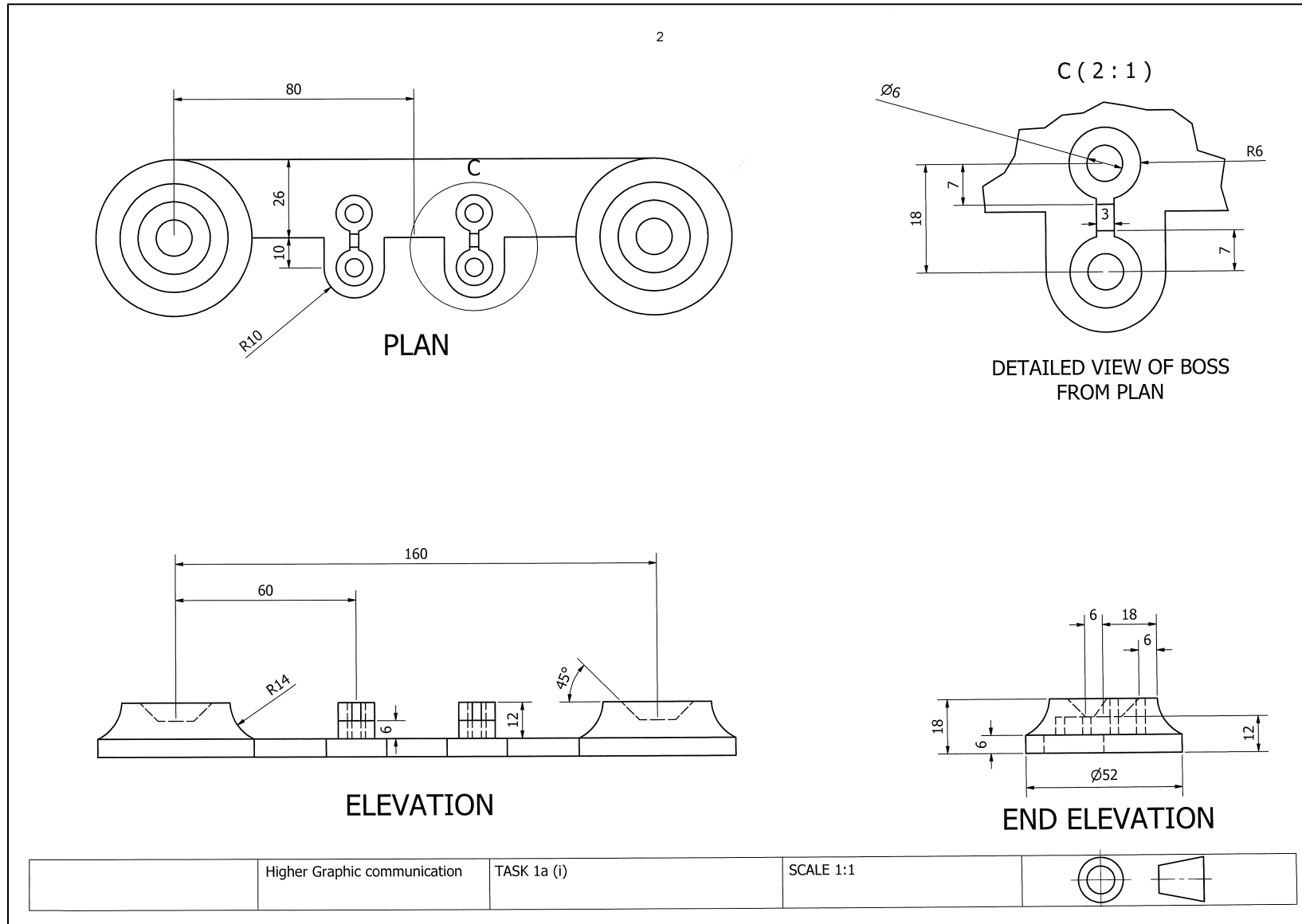
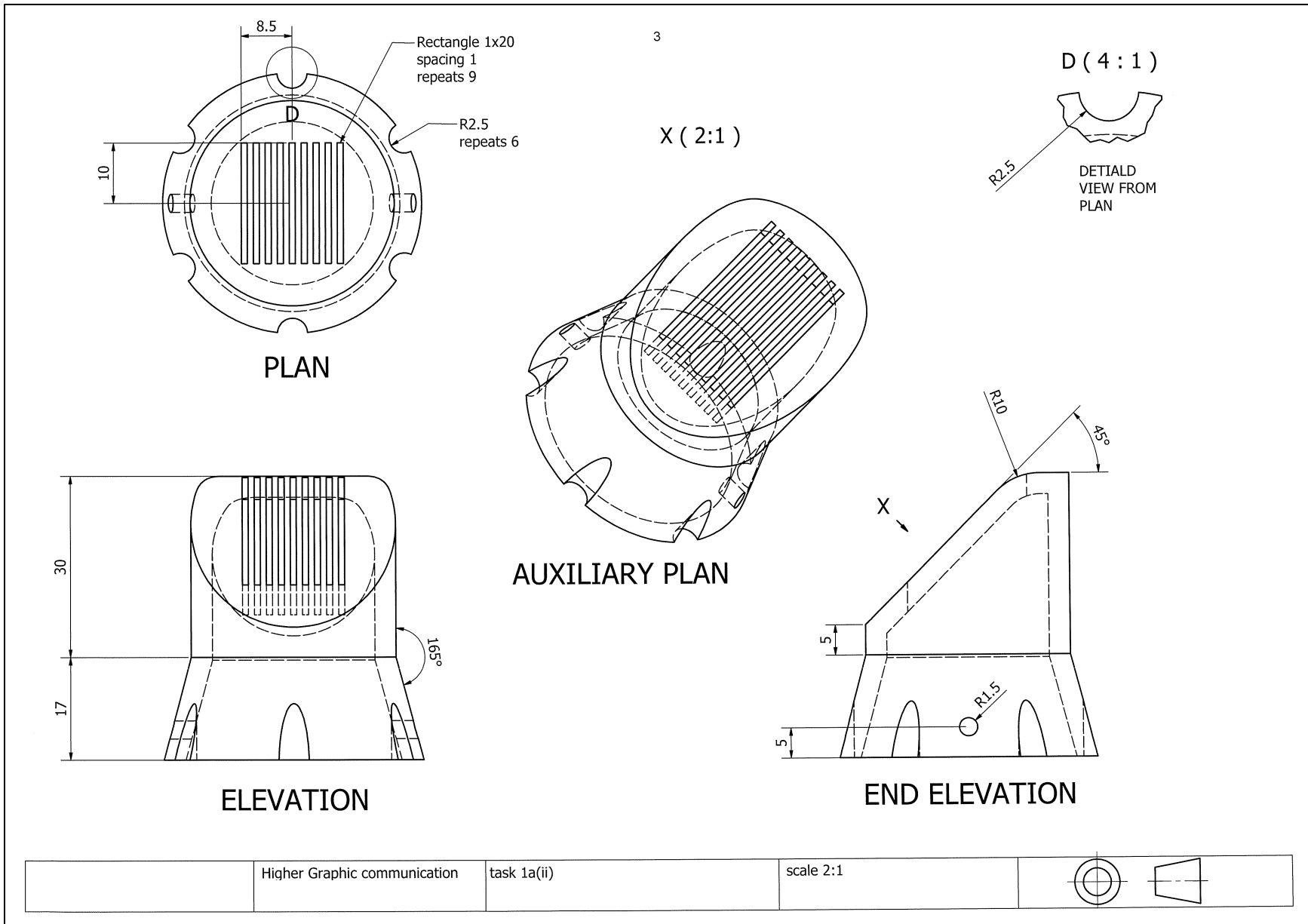
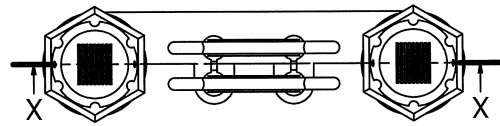


Candidate evidence



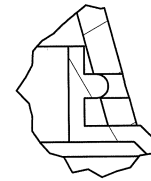


4



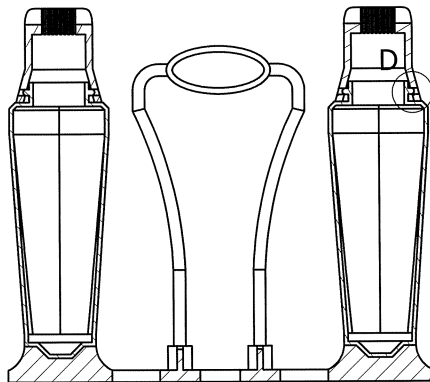
PLAN

D (2:1)

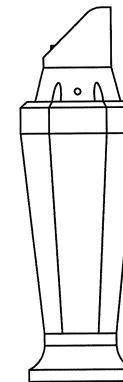


detailed view of salt and pepper top and pepper bottom fit together (pt2) and (pt3)

X-X (1 : 2)



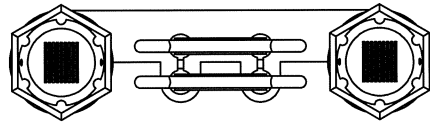
ELEVATION



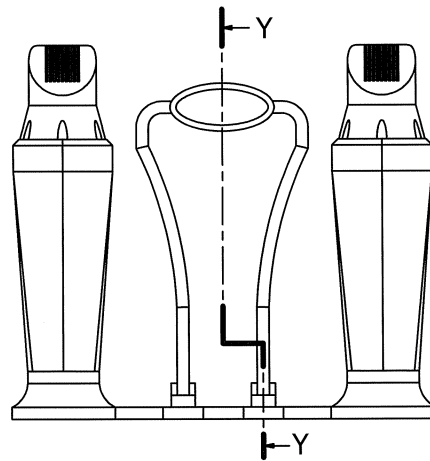
END ELEVATION

	Higher Graphic communication	TASK 1B	SCALE 1:2	
--	------------------------------	---------	-----------	--

5

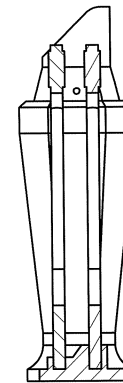


Plan

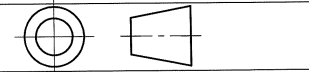


Elevation

Y-Y (1 : 2)

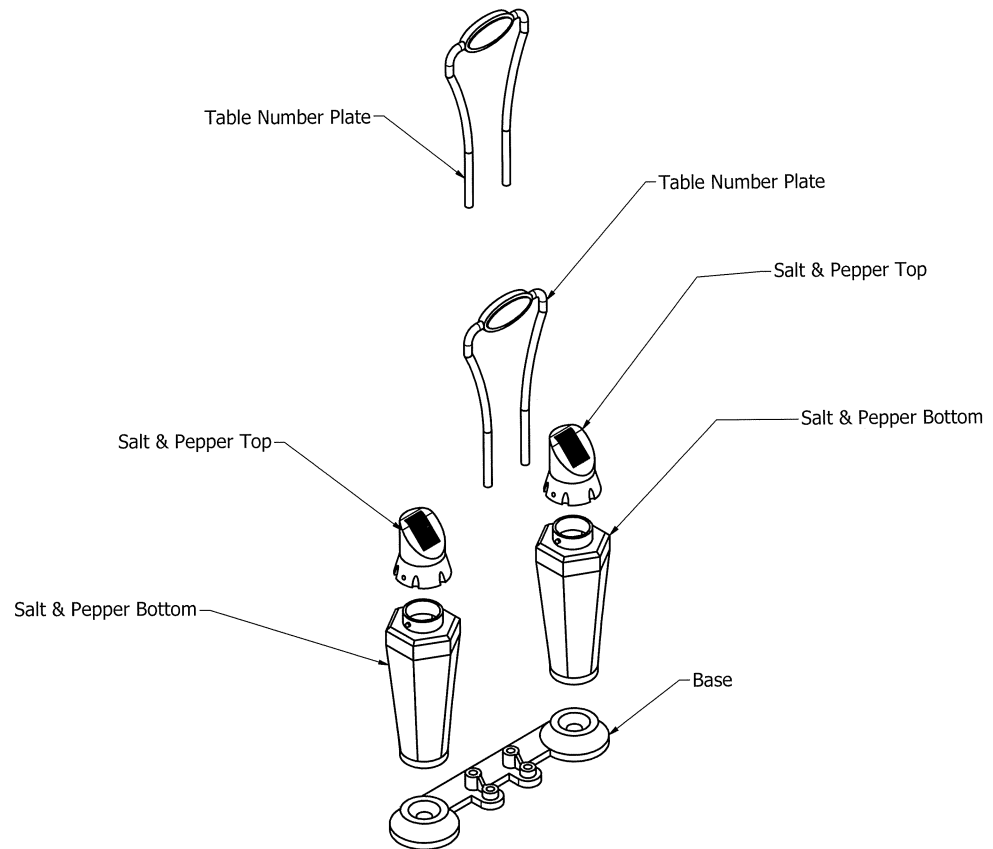


Stepped
Sectional
End Elevation

	Higher Graphic communication	TASK 1B	SCALE 1:2	
--	------------------------------	---------	-----------	---

Exploded Isometric

6



	Higher Graphic communication	TASK 1C	SCALE 1:3	
--	------------------------------	---------	-----------	--

7

Task 2b viewpoint 1



Task 2b viewpoint 2

8



Image size: 420 x 297
Place image directly onto A3 Page

Rhythm is created through the repeated use of the green box with the purple outline

Shape is used as these purple boxes all have the same colour but are different sizes

Valve is used here as the right purple box is larger than the left box

CMYK 1

9

This picture I cropped as the whole picture is not in view to the reader

The wooden texture here creates a visual texture of roughness

These boxes are a-symmetrical as one is higher up the page than the other and if folded on each other wouldn't be symmetrical

Sandwiches
Parma ham and mozzarella
Chargrilled chicken
Brie and bacon
Coronation chickpea (VG)
Roasted vegetables with vegan pesto (VG) (gluten-free bread available)

Toasties
Tuna melt
Cheese and onion (V)
Mozzarella, tomato and pesto (V) (gluten-free bread available)

Soups
Minestrone (V)
Tomato and basil (VG)
Scotch broth

Breakfast
Bacon and fried egg breakfast roll
Home-made granola with berries and Greek-style yogurt (VG)
Croissant with jam and butter (V)
Fluffy pancakes with maple syrup (VG)
Smoked salmon bagel

Sweet bakery
Empire biscuit (VG)
Strawberry tart (V)
Fruit scone (V)
Chocolate brownie (V)
Millionaire's shortbread (V, gluten-free)
Lemon and lime cake (VG)
Red velvet cupcake (V)
vegetarian (V), vegan (VG)

Tea
Breakfast tea
Lemon and ginger
Peppermint
Camomile
Red berry

Coffee
Deiana's ristretto
Espresso
Americano
Latte
Cappuccino
Dairy free alternatives available

An outstanding treat that won't be forgotten in a hurry!

Deiana's Café is a family-run business based in Aviemore. Mario Deiana moved to Scotland in 1957 and opened a small bakery on Grampian Road in Aviemore. Since opening the business has expanded and now Deiana's Cafés can be found in locations all across Scotland. The chain of cafes was recently described by local restaurant critic Jeremy Dempsey as, "An outstanding treat that won't be forgotten in a hurry!". Mario retired in 2003 but can still be seen occasionally indulging in his signature Deiana's ristretto coffee in the original Grampian Road cafe.

vegetarian (V), vegan (VG)

Deiana's CAFE

Deiana's CAFE

Deiana's CAFE

Pull quote

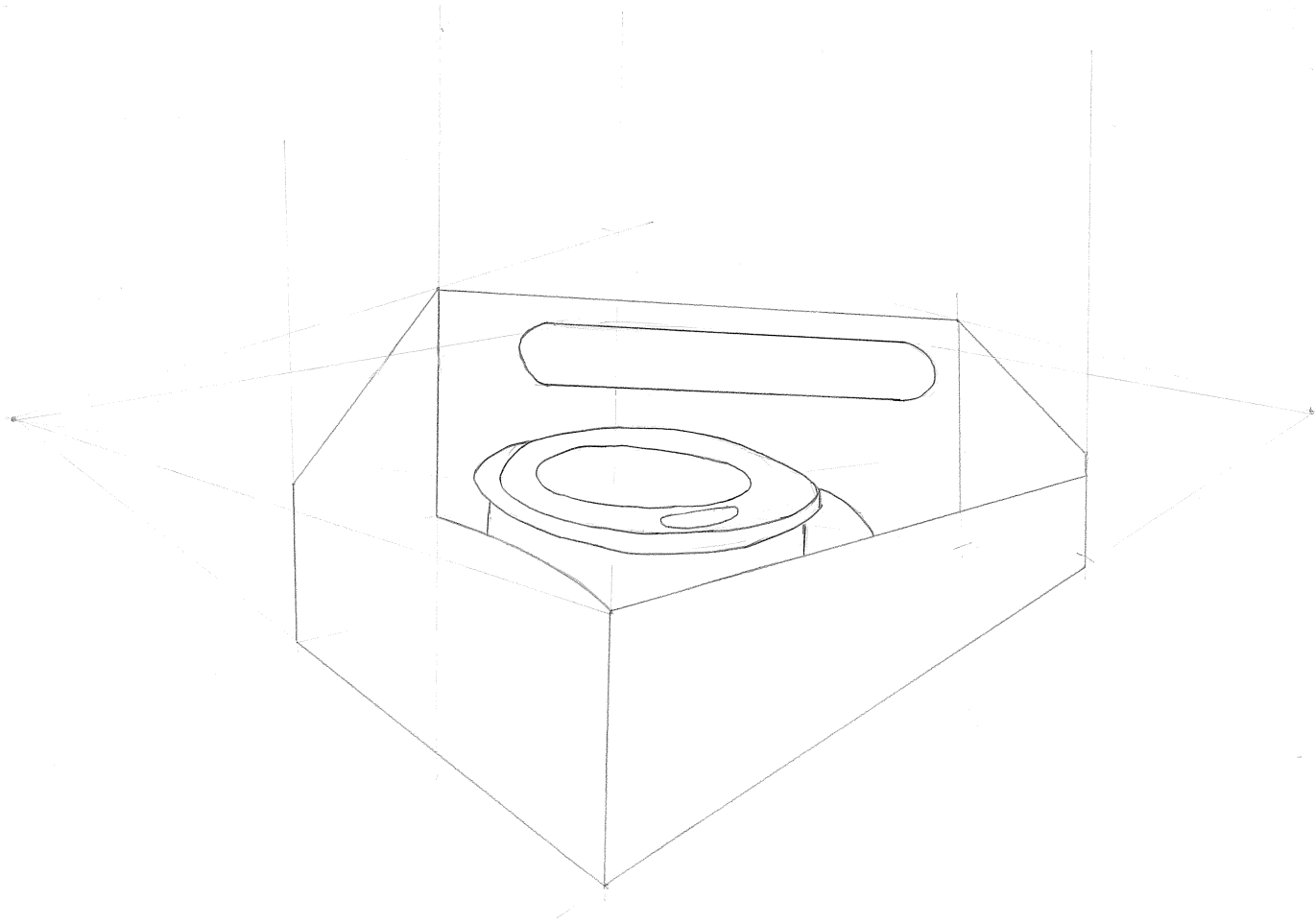
Alignment is used here as all these boxes of text are vertically aligned on the right hand side

Contrasting fonts use here as one is formal and one is informal Brush Script Std and Aharoni. Title vs body text

Company logo

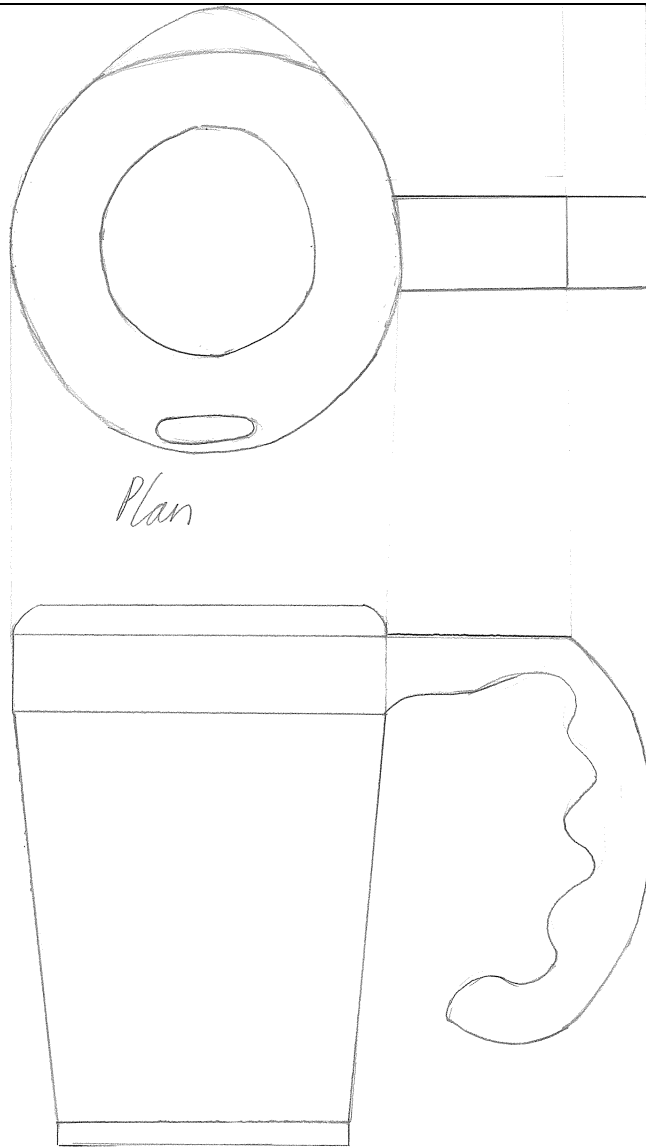
Task 2a

10



Tash Sa

11



Plan

Elevation

Task 3b