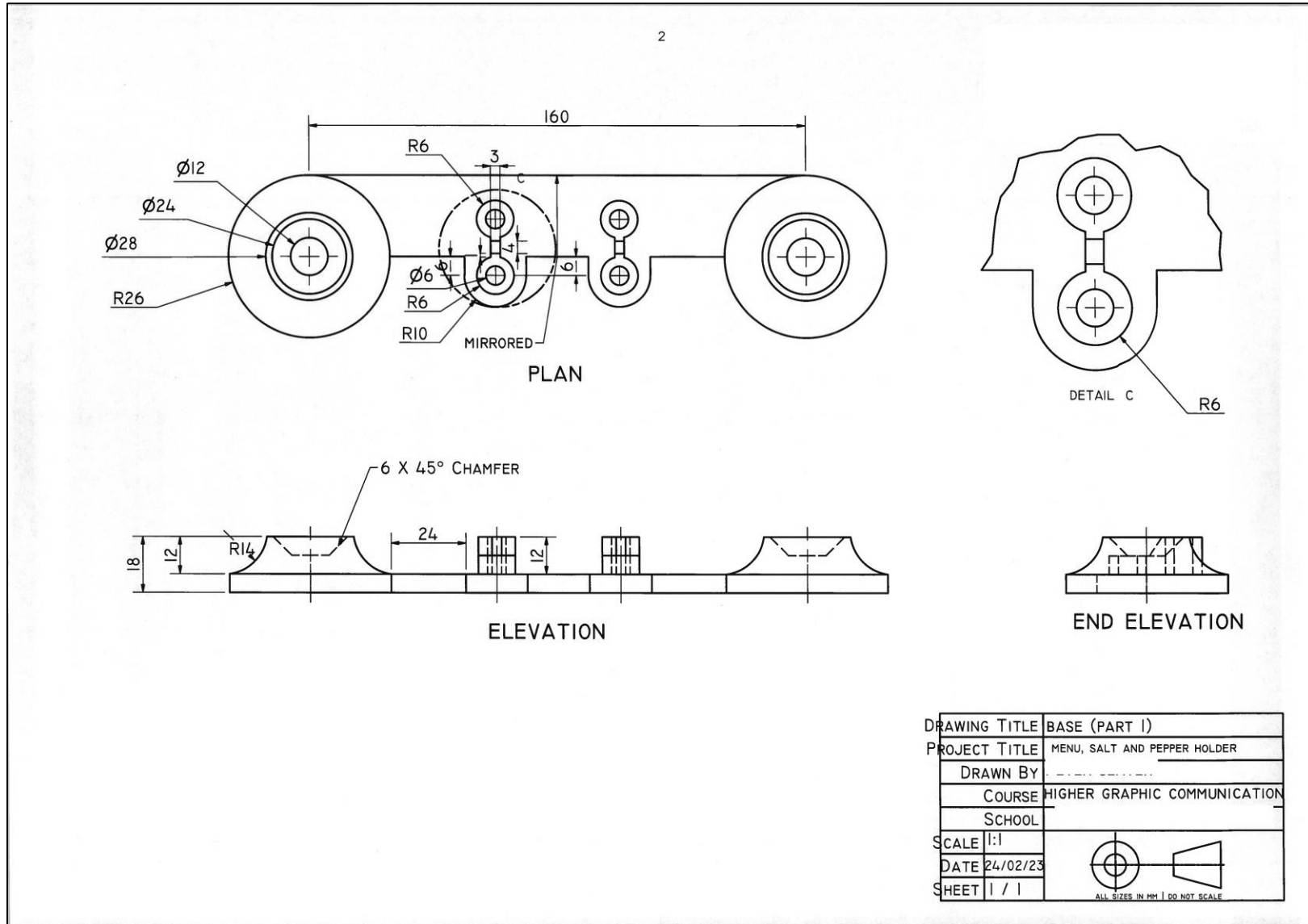
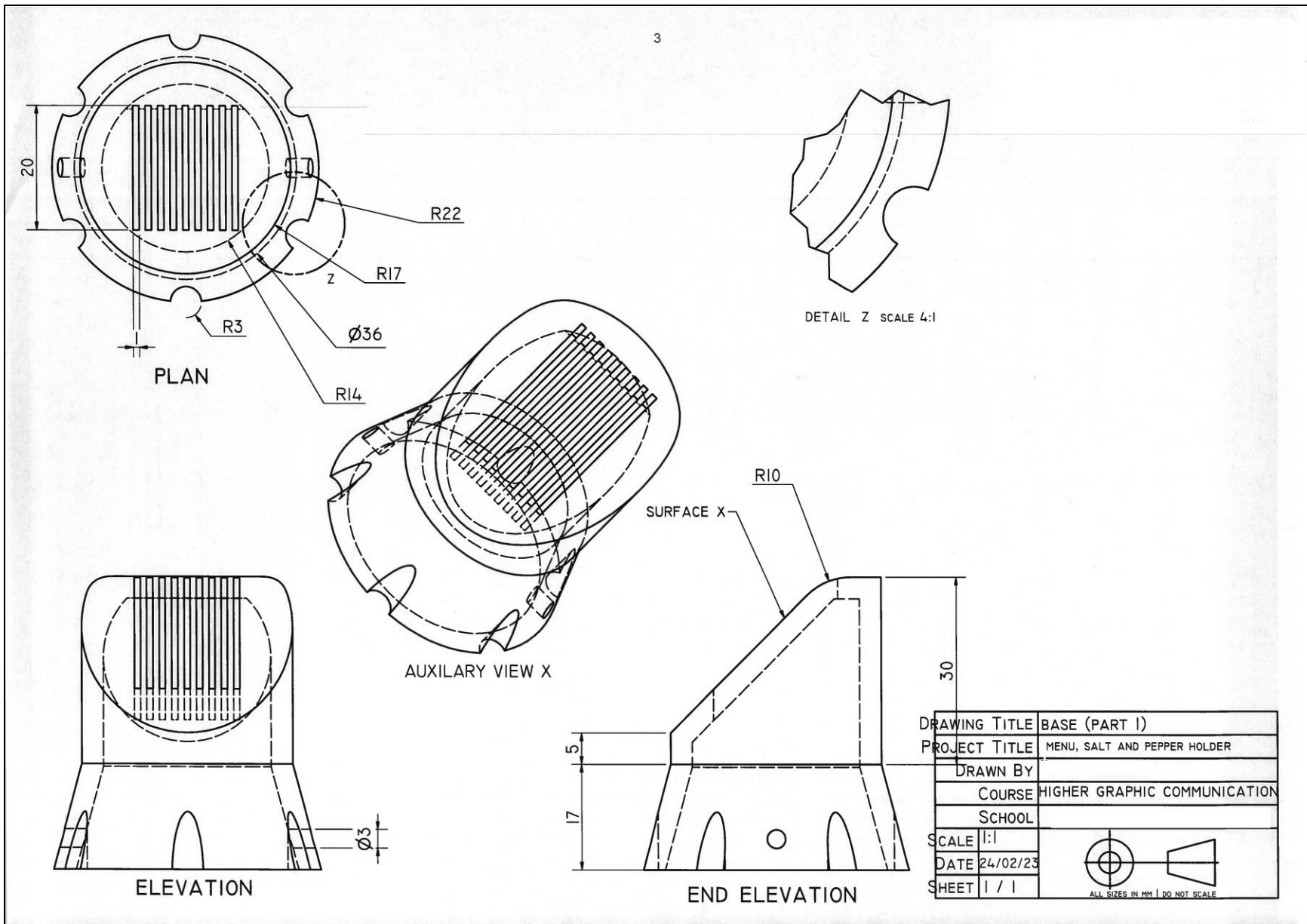


# Candidate evidence



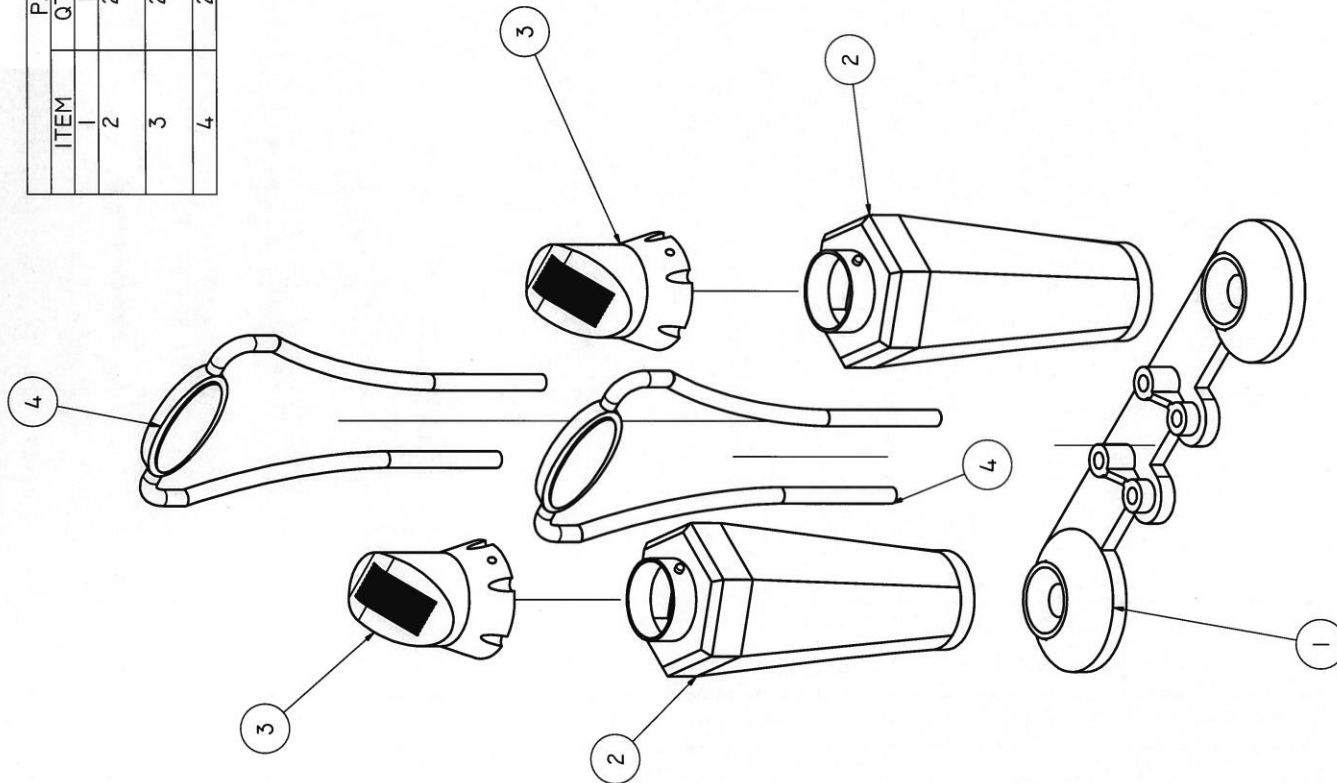


DRAWING TITLE	BASE (PART 1)
PROJECT TITLE	MENU, SALT AND PEPPER HOLDER
DRAWN BY	
COURSE	HIGHER GRAPHIC COMMUNICATION
SCHOOL	
SCALE	1:1
DATE	24/02/23
SHEET	1 / 1


ALL SIZES IN MM | DO NOT SCALE

4

PARTS LIST		
ITEM	QTY	DESCRIPTION
1	1	BASE
2	2	SALT AND PEPPER BOTTOM
3	2	SALT AND PEPPER TOP
4	2	MENU HOLDER

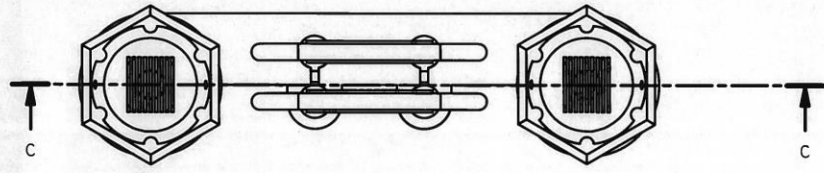


DRAWING TITLE	
PROJECT TITLE	
DRAWN BY	
COURSE	
SCHOOL	
SCALE	
DATE	
SHEET	1 / 1

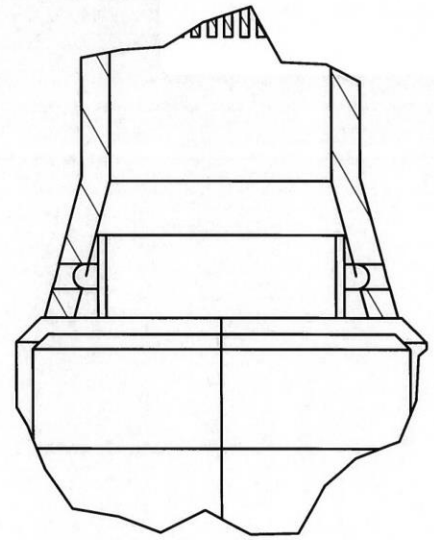


ALL SIZES IN MM | DO NOT SCALE

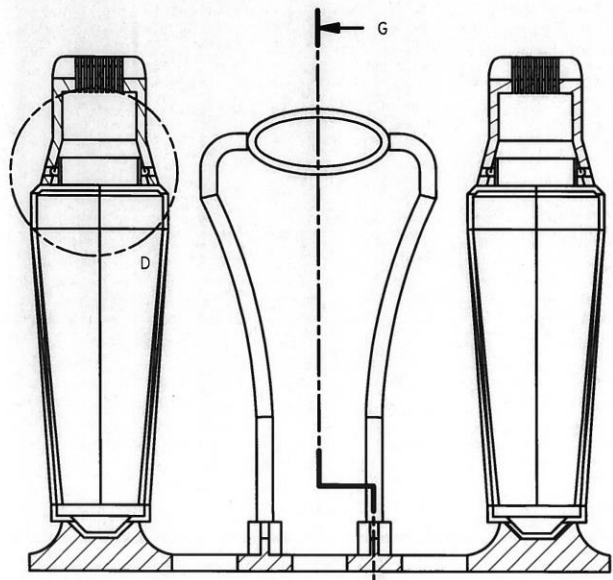
5



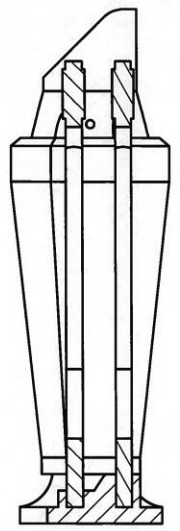
PLAN



DETAIL D SCALE 2 : 1

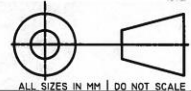


SECTIONAL ELEVATION C-C



SECTIONAL END ELEVATION G-G

DRAWING TITLE	TASK 1B ASSEMBLY DRAWING
PROJECT TITLE	2023 HIGHER ASSIGNMENT
DRAWN BY	
COURSE	H GRAPHIC COMMUNICATION
SCHOOL	
SCALE	1 : 1.5
DATE	
SHEET	1 / 1



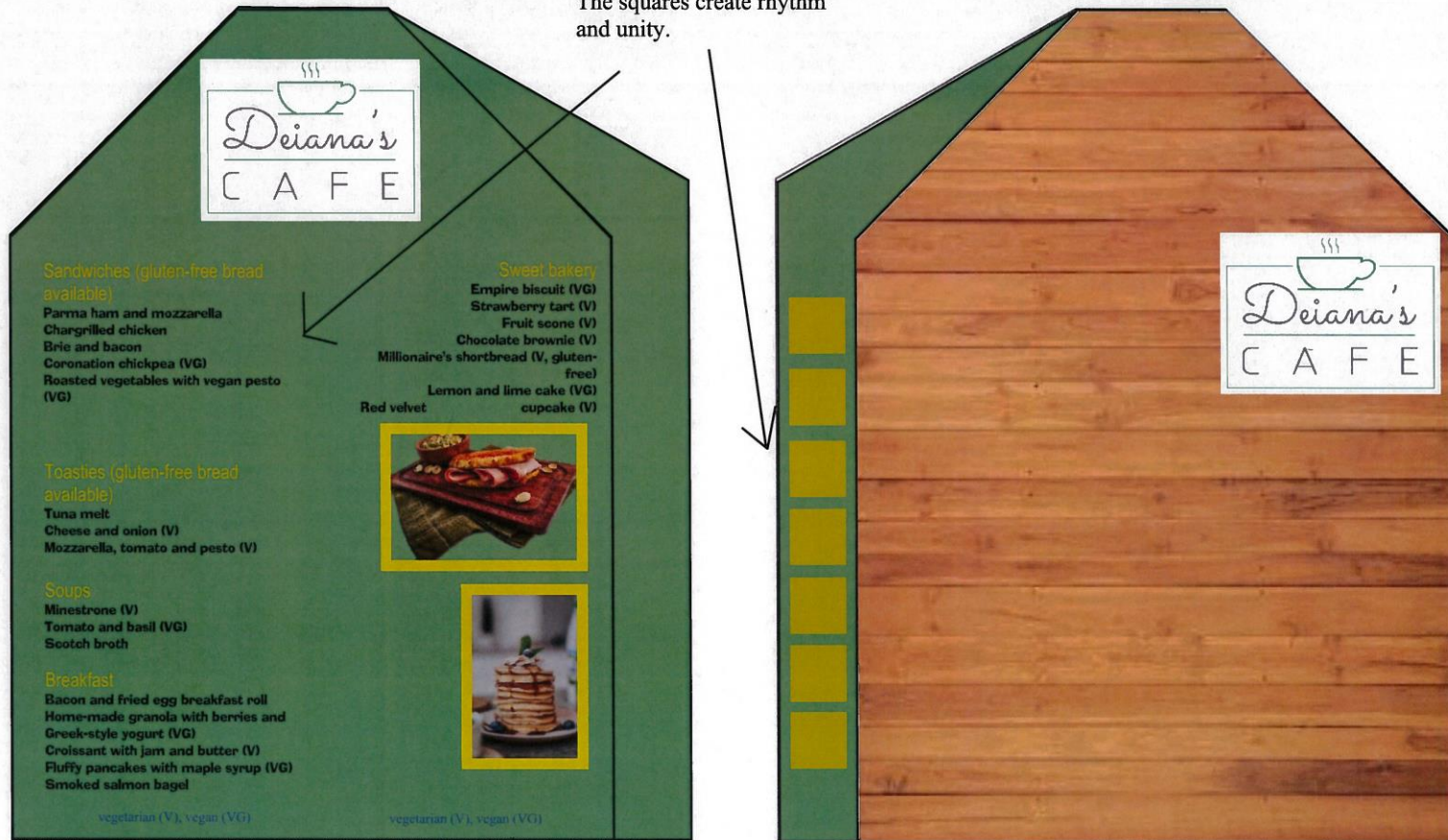
ALL SIZES IN MM I DO NOT SCALE

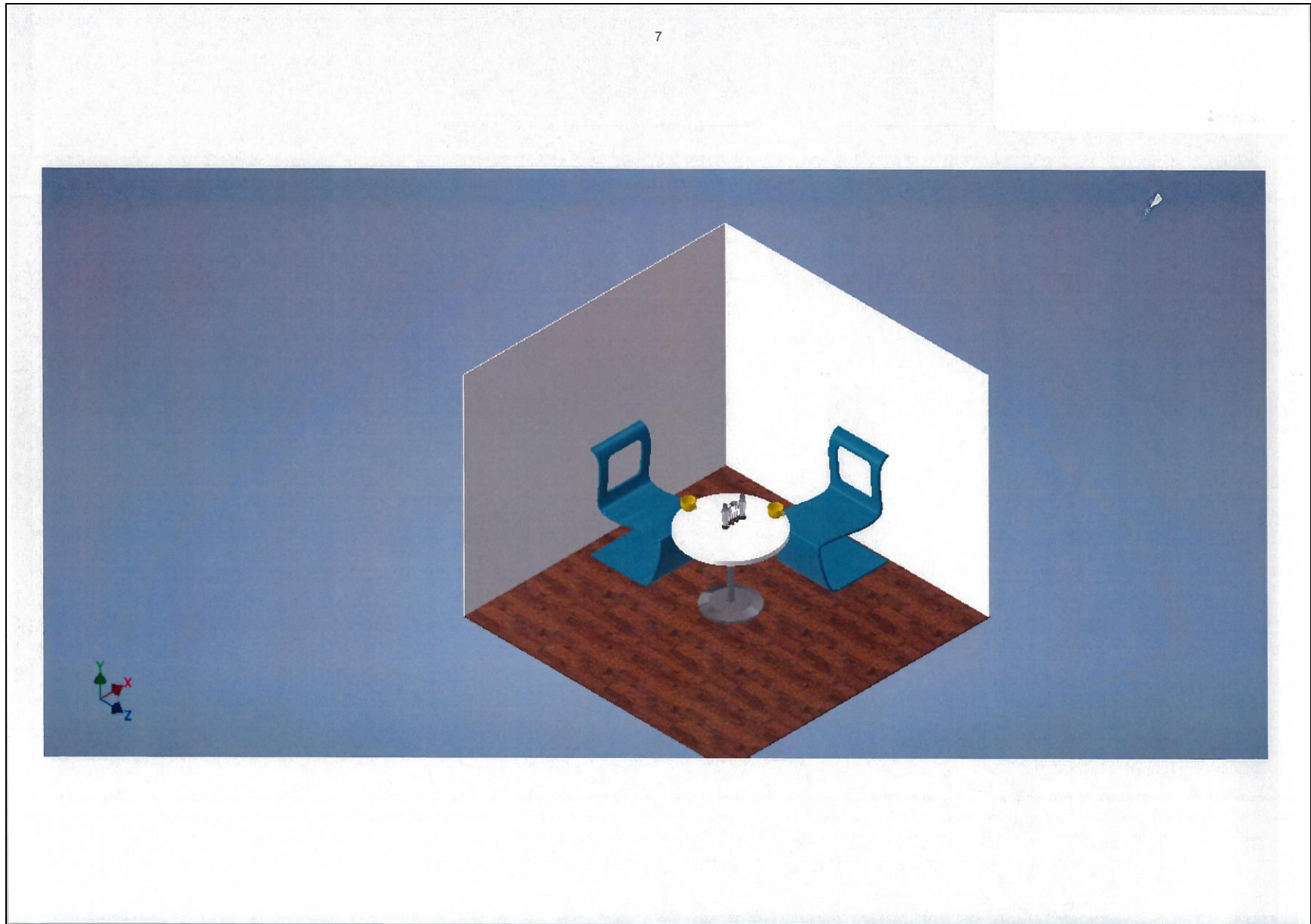
Image size: 420 x 297  
Place image directly onto A3 Page

6

### Task 2a

The text is aligned to the left.  
The squares create rhythm and unity.





# Task 2b

8

