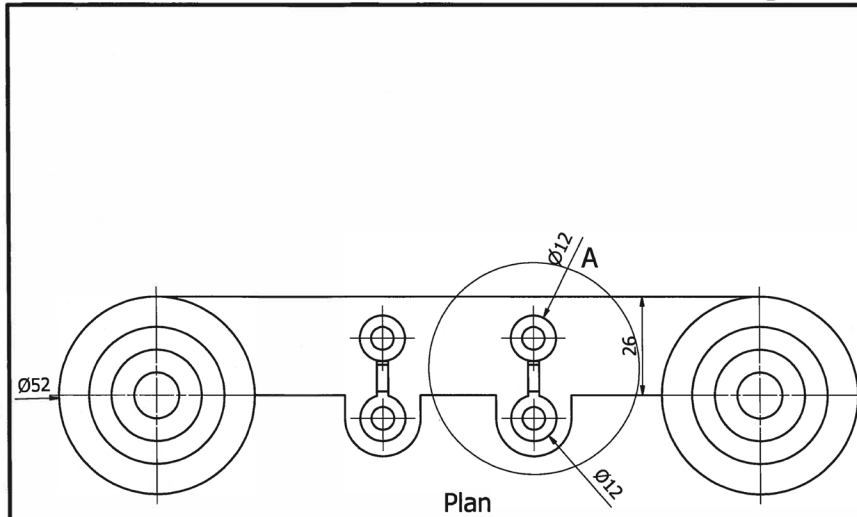


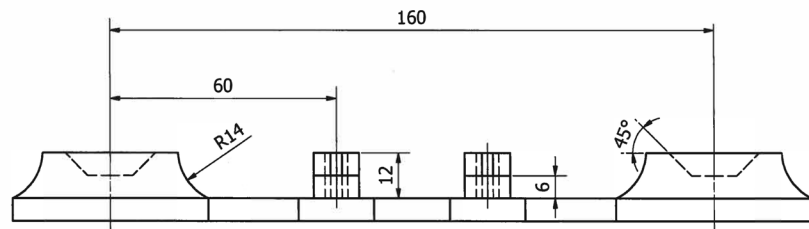
Candidate evidence

Task 1 a(i)

2

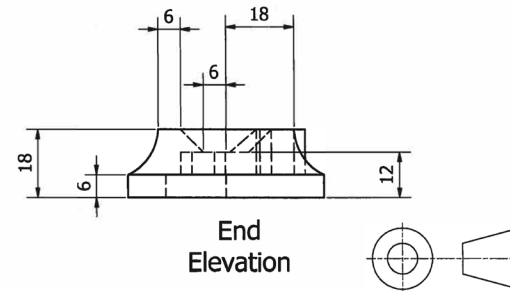
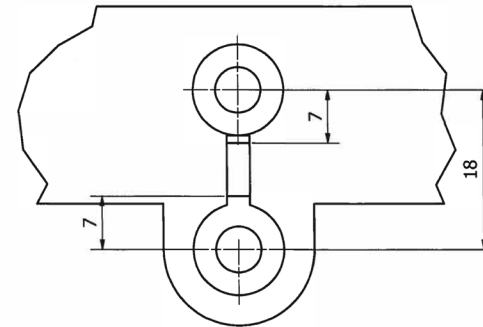


Plan



Elevation

Enlargement view A (2 : 1)

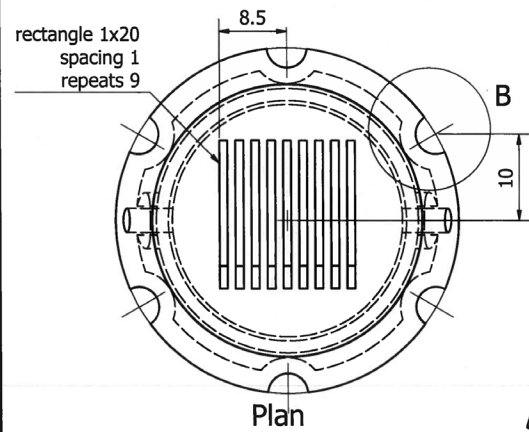


End Elevation

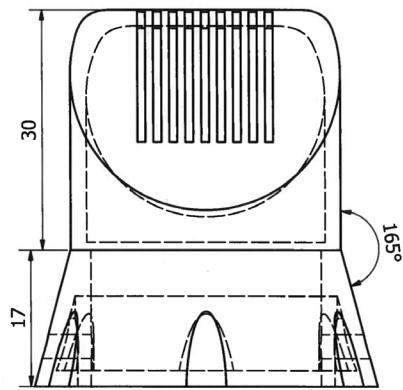
Date :- 6/3/23		Scale :- 1:1	Drawing Title :- Base 1
Checked by :-		Drawing number :-	

Task 1 a (ii)

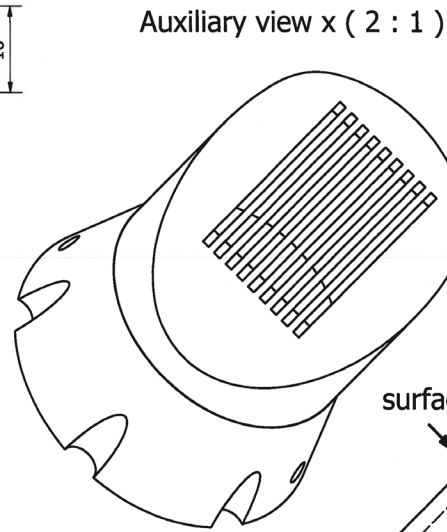
3



Plan

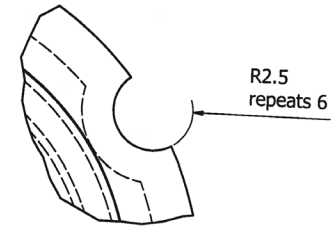


Elevation

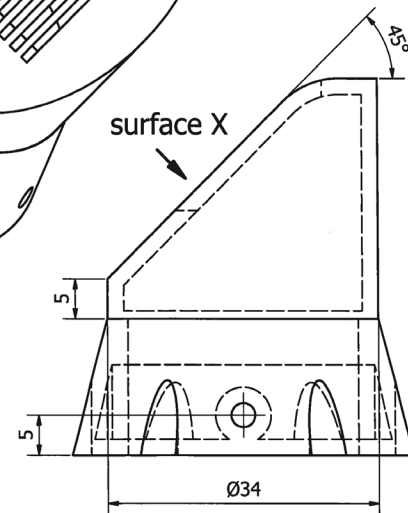


Auxiliary view x (2 : 1)

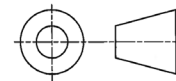
Enlargment view B (4 : 1)



R2.5 repeats 6



End Elevation

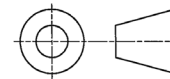
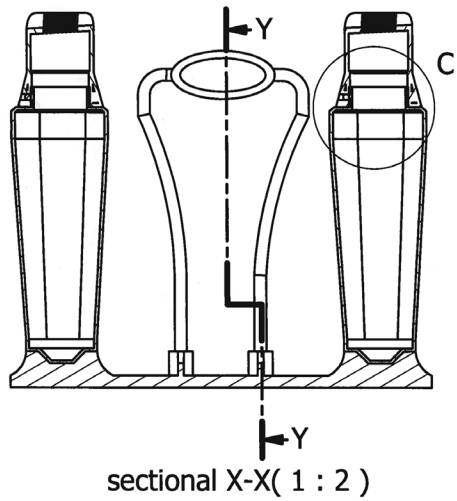
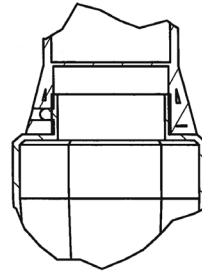
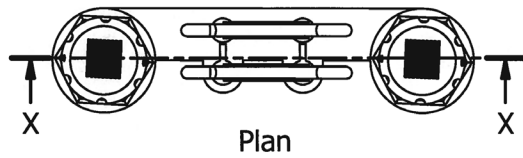


Drawing Title :-		
Date :-	Scale :-	Drawing number :-
Drawn by :-		Checked by :-

Task 1b

4

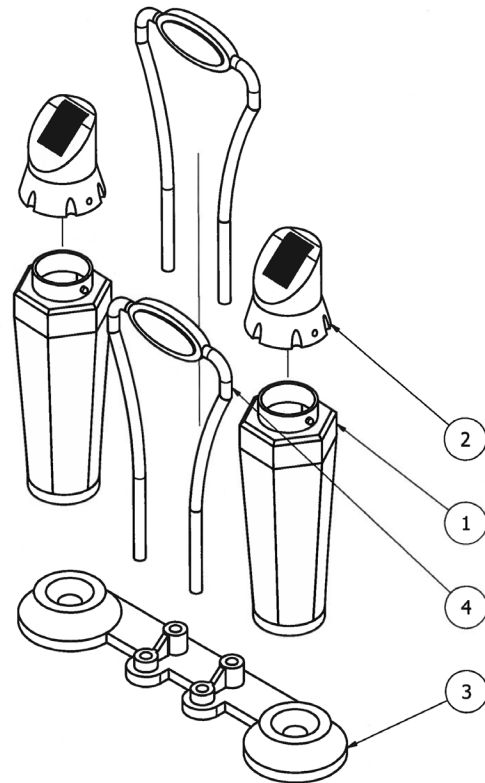
Enlargement view C (1 : 1)



Date :- 6/03/23		Drawing Title :- Assembly	
Scale :- 1:2	Drawing number :-		
Checked by :-			

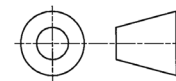
Task 1c

5



Exploded isometric

PARTS LIST		
ITEM	QTY	PART NUMBER
1	2	sal and pepper bottom
2	2	salt and pepper top
3	1	base (part 1)
4	2	holder



		Drawing Title :-
Date :-	Scale :-	Drawing number :-
Drawn by :-		Checked by :-

Task 2a

6

Aligning the shapes to p at the shapes horizontally.

shaped text box.

Repetition of text box shape

Rhythm in shape of pictures

pull quote

white space around the pictures

Centre Aligning All of the sub-headings vertically.

full Image cropping.

Deiana's CAFE

Sandwiches
(gluten free bread available)

- Parma ham and mozzarella
- Chargrilled chicken
- Brie and bacon
- Coronation chickpea (VG)
- Roasted vegetables with vegan pesto (VG)

Toasties
(Gluten free bread available)

- Tuna melt
- Cheese and onion (V)
- Mozzarella, tomato and pesto (V)

Soups

- Mincestone (V)
- Tomatoe and basil (VG)
- Scotch broth

Breakfast

- Bacon and fried egg breakfast roll
- Home-made granola with berries and Greek-style yogurt (VG)
- Croissant with jam and butter (VG)
- Fluffy pancakes with maple syrup
- Smoked salmon bagel

Vegetarian (V), Vegan (VG)

Sweet Bakery

- Empire biscuit (VG)
- Strawberry tart (V)
- Fruit scones (V)
- Chocolate brownie (V)
- Millionaire's shortbread (V, gluten free)
- Lemon and lime cake (VG)
- Red velvet cake (V)

Vegetarian (V), Vegan (VG)

Coffee

- Deiana's ristretto
- Espresso
- Americano
- Latte
- cappuccino

Tea

- Breakfast tea
- Lemon and ginger
- Peppermint
- Camomile
- Red berry

Dairy-free alternatives available

An outstanding treat that won't be forgotten in a hurry!

About us

Deiana's cafe is a family-run business based in Aviemore. Mario Deiana moved to Scotland in 1957 and opened a small bakery on Grampian road in Aviemore. Since opening, the business has expanded and now Deiana's cafe can be found in locations all across Scotland.

The chain of cafes was recently described by local restaurant critic Jeremy Dempsey as "An outstanding treat that won't be forgotten in a hurry!". Mario retired in 2003 but can still be seen occasionally indulging in his signature Deiana's ristretto coffee in the original Grampian Road cafe.

Task 2b

7



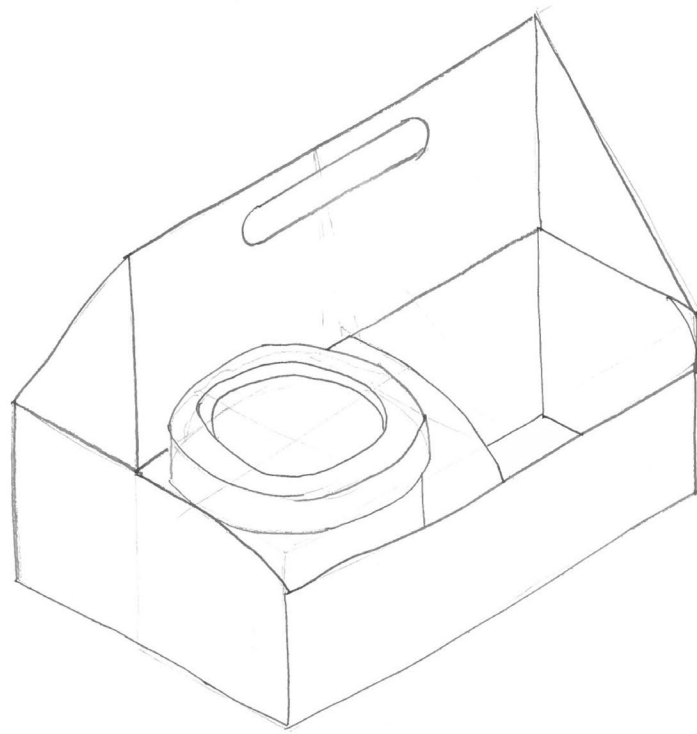
Task 2b

8



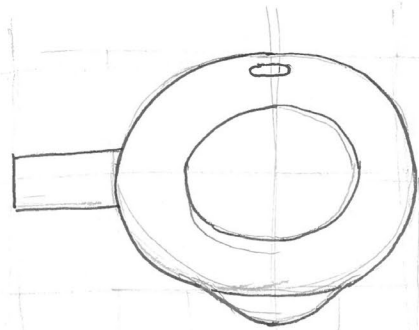
9

Task 3a



Task 3b

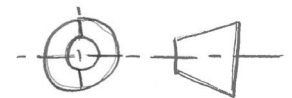
10



Plan



Elevation



Title Travel Mug
Date : 8/3/23