

# Candidate evidence

Task 1a(i)

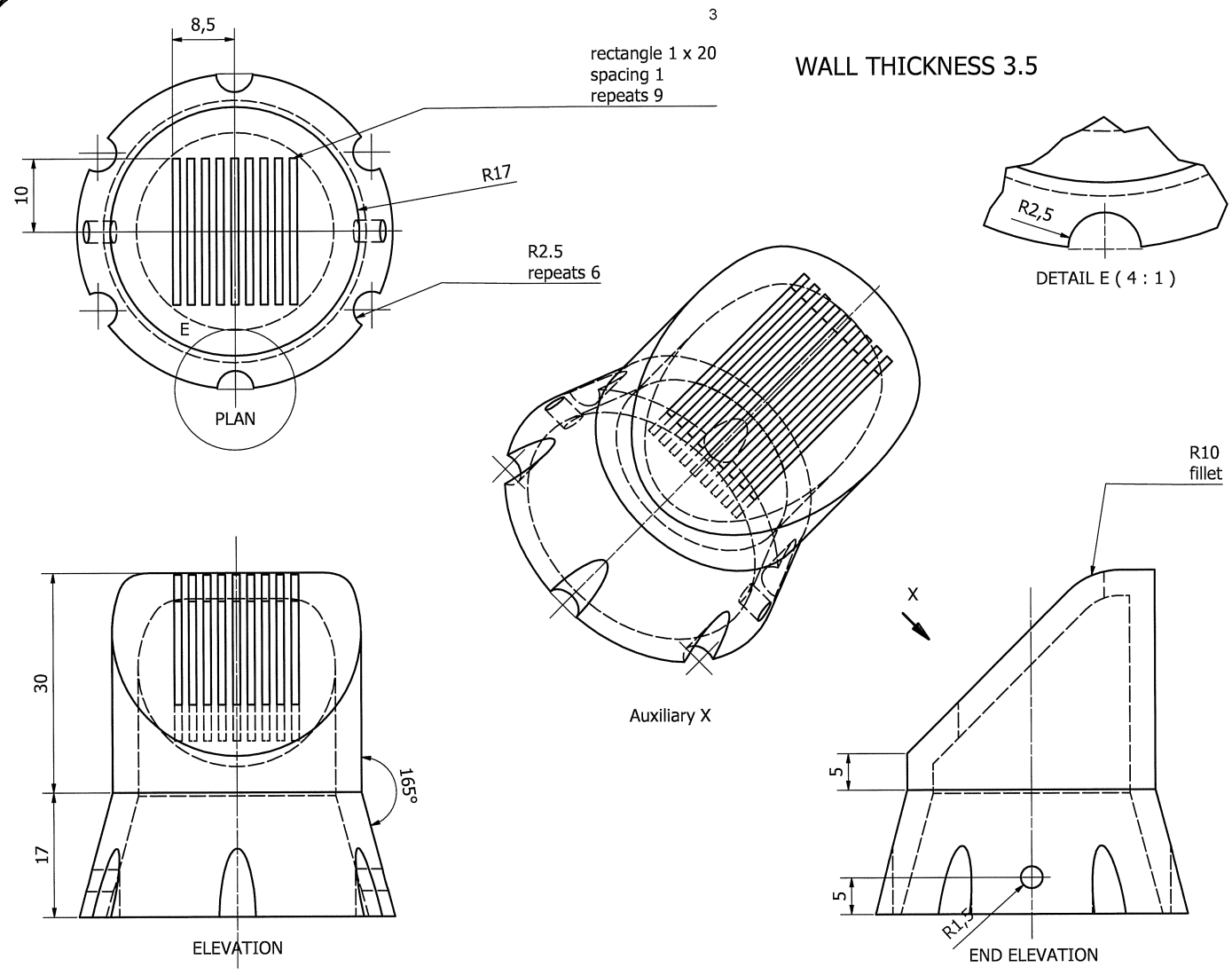
The drawing consists of the following views and dimensions:

- PLAN:** Shows the top view of the holder. It features two circular bases with a radius of  $R26$  and a central extrusion with a height of 6. The distance between the centers of the bases is 160. A central hole has a diameter of  $\phi 6$  and a depth of 12mm. A detail section B is indicated.
- ELEVATION:** Shows the front view. The total width is 160. The distance from the left edge to the center of the hole is 60. The hole has a diameter of 6 and a depth of 12. The bases have a radius of  $R14$ .
- END ELEVATION:** Shows the side view. The total height is 18. The distance from the bottom edge to the top of the hole is 12. The hole has a diameter of 6 and a depth of 6.
- DETAIL B (2:1):** A magnified view of the hole area. It shows a hole with a diameter of  $\phi 6$  and a depth of 18. The hole is surrounded by a material with a radius of  $R6$ . The distance from the top edge to the center of the hole is 7.

Labels in the drawing include: "blind hole 12mm deep", "blind hole 6mm deep", "extrusion height 6", "PLAN", "ELEVATION", "END ELEVATION", "DETAIL B (2:1)", and "Task 1a(i)".

Title:	Salt and Pepper Holder
Drawn by:	
Scale:	1 : 1
	All sizes in mm

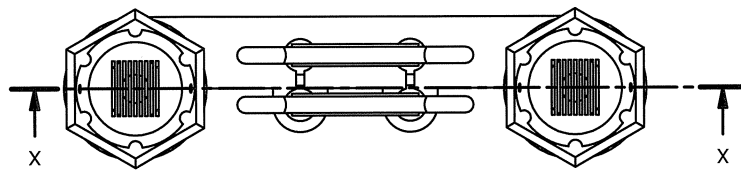
Task 1a(ii)



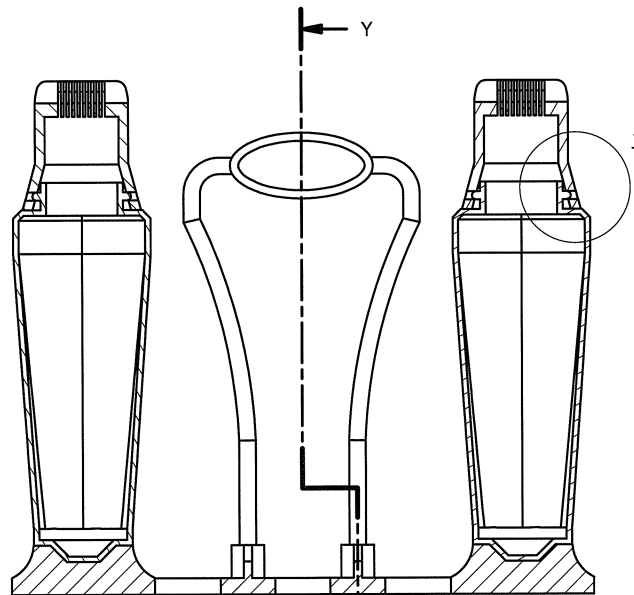
Title:	Salt and Pepper Holder
Drawn by:	
Scale:	2 : 1
All sizes in mm	

4

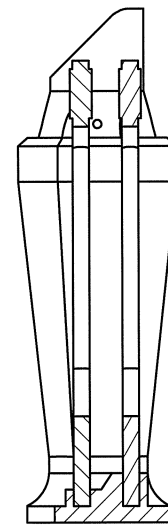
### Task 1(b)



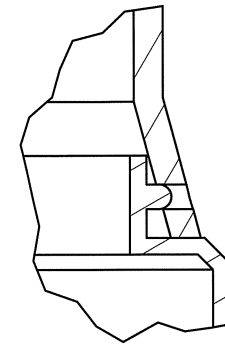
PLAN



SECTION X-X



SECTION Y-Y



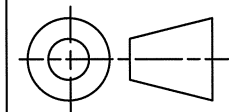
DETAIL J (2 : 1)

Title:  
Salt and Pepper Holder

Drawn by:

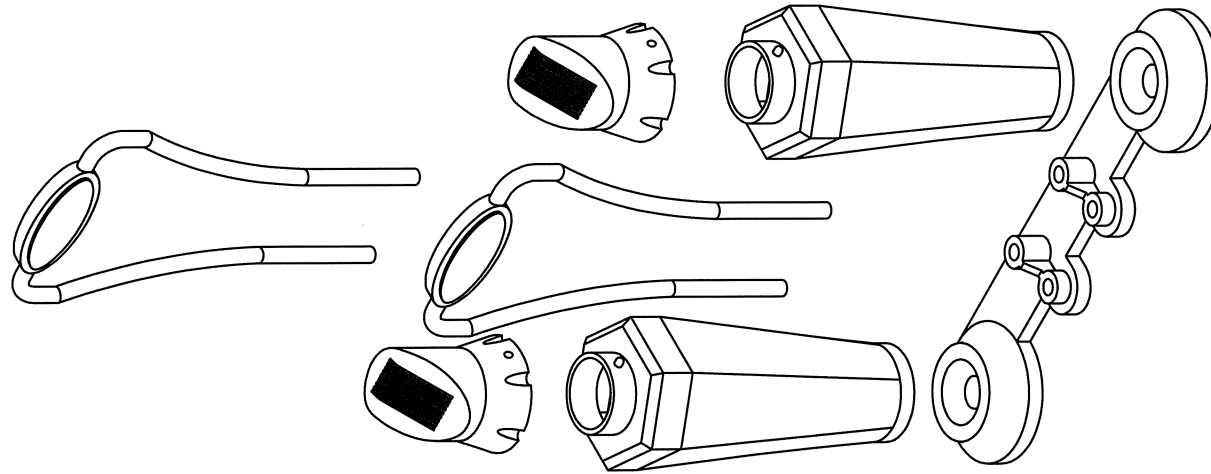
Scale:  
1 : 1.5

All sizes in mm



# Task 1(c)

5



Title:	Salt and Pepper Holder
Drawn by:	
Scale:	1 : 1.5
	All sizes in mm

EXPLODED ISOMETRIC

Non-annotated Task 2a

**Sandwiches**  
(gluten-free bread available)

- Parma ham and mozzarella
- Chargrilled chicken
- Brie and bacon
- Coronation chickpea **VG**
- Roasted vegetables with vegan pesto **VG**

**Toasties**  
(gluten-free bread available)

- Tuna melt
- Cheese and onion **V**
- Mozzarella, tomato & pesto **V**

**Breakfast**

- Bacon and fried egg breakfast roll
- Home-made granola with berries and Greek-style yogurt **VG**
- Croissant with jam and butter **V**
- Fluffy pancakes with maple syrup **VG**
- Smoked salmon bagel

**Soups**

- Minestrone **V**
- Tomato & basil **VG**
- Scotch broth

**Sweet Bakery**

- Empire biscuit **VG**
- Strawberry tarty **V**
- Fruit scone **V**
- Chocolate brownie **V**
- Lemon and lime cake **VG**
- Red velvet cupcake **V**
- Millionaire's shortbread (gluten-free) **V**

**Vegetarian VG Vegan V**

**Coffee**

- Deiana's ristretto
- Espresso
- Americano
- Latte
- Cappuccino

**Tea**

- Breakfast tea
- Lemon and ginger
- Peppermint
- Camomile
- Red berry

**AN OUTSTANDING TREAT THAT WON'T BE FORGOTTEN IN A HURRY!**

**About Us**

Deiana's Café is a family-run business based in Aviemore. Mario Deiana moved to Scotland in 1957 and opened a small bakery on Grampian Road in Aviemore. Since opening, the business has expanded and now Deiana's Cafés can be found in locations all across Scotland. The chain of cafés was recently described by local restaurant critic Jeremy Dempsey as, "An outstanding treat that won't be forgotten in a hurry!". Mario retired in 2003 but can still be seen occasionally indulging in his signature Deiana's ristretto coffee in the original Grampian Road café.

**Deiana's CAFE**

**DAIRY-FREE ALTERNATIVES AVAILABLE**

7

**Annotations for A1/A2:**

- Use of white border on all shapes to create rhythm and keep everything tied together
- Text centrally aligned
- Text aligned to the left
- Background cropping
- Consistent use of blue and green circles to create Rhythm.

**Annotations for B1/B2:**

- Texture created through background images
- Text aligned to the left
- Rhythm through consistency in shape
- Effective white space
- Contrasting fonts
- Pull Quote
- Text aligned to the left

**Menu Content:**

**A1**

**Sandwiches**  
(gluten-free bread available)

- Parma ham and mozzarella
- Char-grilled chicken
- Brie and bacon
- Coronation chickpea **VG**
- Roasted vegetables with vegan pesto **VG**

**Toasties**  
(gluten-free bread available)

- Tuna melt
- Cheese and onion **V**
- Mozzarella, tomato & pesto **V**

**Breakfast**

- Bacon and fried egg breakfast roll
- Home-made granola with berries and Greek-style yogurt **VG**
- Croissant with jam and butter **V**
- Fluffy pancakes with maple syrup **VG**
- Smoked salmon bagel

**Soups**

- Minestrone **V**
- Tomato & basil **VG**
- Scotch broth

**A2**

**Sweet Bakery**

- Empire biscuit **VG**
- Strawberry tarty **V**
- Fruit scone **V**
- Chocolate brownie **V**
- Lemon and lime cake **VG**
- Red velvet cupcake **V**
- Millionaire's shortbread (gluten-free) **V**

**B1**

**Coffee**

- Deiana's ristretto
- Espresso
- Americano
- Latte
- Cappuccino

**Tea**

- Breakfast tea
- Lemon and ginger
- Peppermint
- Camomile
- Red berry

**About Us**

Deiana's Café is a family-run business based in Aviemore. Mario Deiana moved to Scotland in 1957 and opened a small bakery on Grampian Road in Aviemore. Since opening, the business has expanded and now Deiana's Cafés can be found in locations all across Scotland. The chain of cafés was recently described by local restaurant critic Jeremy Dempsey as: "An outstanding treat that won't be forgotten in a hurry!". Mario retired in 2003 but can still be seen occasionally indulging in his signature Deiana's ristretto coffee in the original Grampian Road café.

**B2**

**Deiana's CAFE**

**AN OUTSTANDING TREAT THAT WON'T BE FORGOTTEN IN A HURRY!**

Annotated Task 2a

8

Task 2b



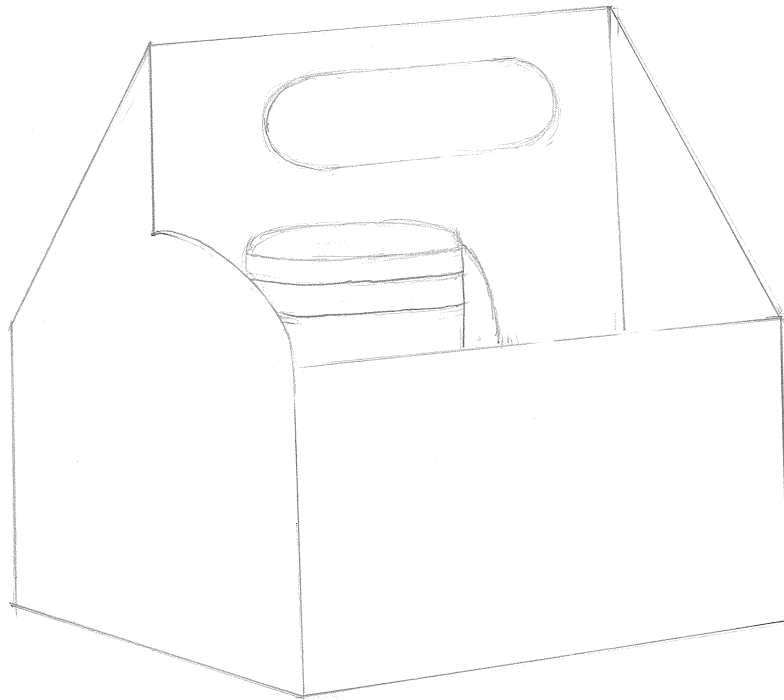
9

Task 2b



10

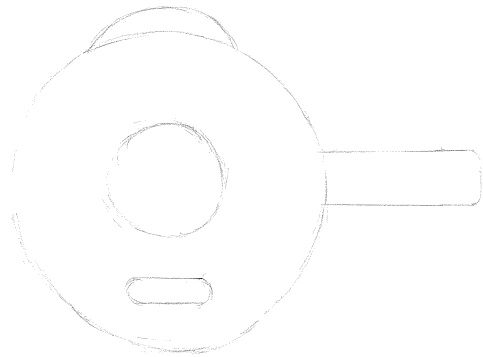
TASK 2A



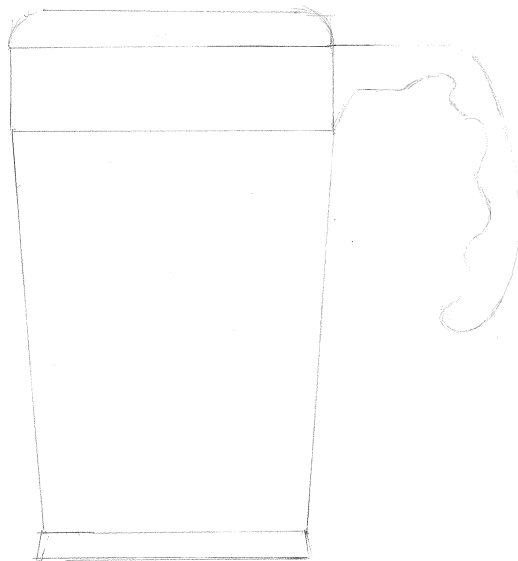
PICTORIAL

11

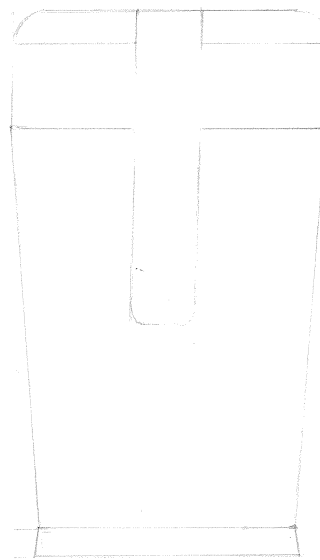
Task 3b



PLAN



ELEVATION



END ELEVATION